

TQB

TQB Brands Pty Ltd

TQ PRO

Trusted by serious professionals

Presses & Pipe Benders

TRADEQUIP
the trusted brand in equipment
50,000KG AIR HYDRAULIC WORKSHOP PRESS

TRADEQUIP
the trusted brand in equipment

TQ PRO
Trusted by serious professionals

BORUM
INDUSTRIAL WORKSHOP EQUIPMENT

Hydraulic Press - 20,000kg



Product Code: 1060T

The Tradequip "Made for the Trade" Hydraulic Workshop Press is great for straightening, stamping, bending and pressing any component that is hard to handle. The polished inner cylinder walls extend the life of the hydraulic seals to minimize abrasion and wear, while the cylinder ram and pistons are also polished and chromed, guided by high performance seals, wear rings and dust seals. Tradequip hydraulic systems are powered with high quality oil, to provide better corrosion resistance and high/low temperature flexibility, ensuring the power unit will continually operate under most Australian temperature conditions. Tradequip "Made for the Trade" Hydraulic Workshop Presses feature both a vertically-adjustable press bed and a professional quality hydraulic pump unit with integrated overload protection for improved performance, on a rugged, heavy-steel H-frame. 2 heavy-duty arbor 'V' press plates included!

It is ideal for a variety of workshop applications and in particular suited to agricultural or industrial use. Jobs such as straightening, bending, folding, punching, removing bolts and bearings etc, are some of the tasks that can be easily accomplished.

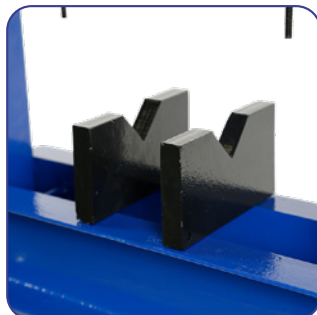
Features

- Heavy-duty H-frame constructed of high-grade steel and built to exacting standards for quality and durability
- Lead-free paint finish is applied after a thorough chemical wash to ensure a long-lasting finish and to help prevent rust
- Paint finish is oil, grease and dirt-resistant for easy cleanup
- High quality large diameter hydraulic steel cylinder unit results in lower oil pressure needed to raise the load, helping to reduce wear and extend service life
- Dependable double spring return for fast ram retraction
- Piston-ram is treated and polished for extended life
- Reinforced head bolster for added strength
- Pair of bed plates included

Specifications

- Safe Working Capacity: 20,000kg
- Working Range: 50 - 890mm
- Overall Height: 1560mm
- Overall Width: 600mm
- Overall Depth: 700mm
- Bed Outside: 200mm
- Bed Inside: 96mm
- Bed Width: 510mm
- Piston Ram Stroke: 150mm
- Ram Diameter: 105mm
- Nett Weight: 78kg

MADE FOR THE TRADE



About the brand

Our Flagship brand of garage and workshop equipment, Tradequip is designed for use in a demanding garage and workshop environment by trade users. With proven and trusted "Made for the Trade" reliability, Tradequip branded products offer the very best in performance for an affordable price. The Tradequip range is covered by a 12 month trade use warranty.

Hydraulic Press - 20,000kg

Product Code: 1002

The TradeQuip "Made for the Trade" Hydraulic Workshop Press is great for straightening, stamping, bending and pressing any component that is hard to handle. The H-frame all-welded steel frame provides optimum rigidity to prevent flexing under maximum load. The polished inner cylinder walls extend the life of the hydraulic seals to minimize abrasion and wear, while the cylinder ram and pistons are also polished and chromed, guided by high performance seals, wear rings and dust seals. TradeQuip hydraulic systems are powered with high quality oil, to provide better corrosion resistance and high/low temperature flexibility, ensuring the power unit will continually operate under most Australian temperature conditions. TradeQuip "Made for the Trade" Hydraulic Workshop Presses feature both a vertically-adjustable press bed and a professional quality hydraulic pump unit with integrated overload protection for improved performance, on a rugged, heavy-steel H-frame. 2 heavy-duty arbor 'V' press plates included!

It is ideal for a variety of workshop applications and in particular suited to agricultural or industrial use. Jobs such as straightening, bending, folding, punching, removing bolts and bearings etc, are some of the tasks that can be easily accomplished.

Features

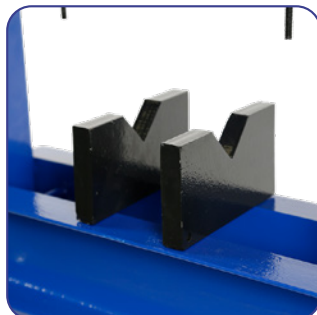
- Heavy-duty H-frame constructed of high-grade steel and built to exacting standards for quality and durability
- Welded frame prevents flexing under maximum load
- Lead-free paint finish is applied after a thorough chemical wash to ensure a long-lasting finish and to help prevent rust
- Paint finish is oil, grease and dirt-resistant for easy cleanup
- High quality large diameter hydraulic steel cylinder unit results in lower oil pressure needed to raise the load, helping to reduce wear and extend service life
- Dependable double spring return for fast ram retraction
- Piston-ram is treated and polished for extended life
- Reinforced head bolster for added strength
- Pair of bed plates included

Specifications

- Safe Working Capacity: 20,000kg
- Working Range: 130 - 705mm
- Overall Height: 1510mm
- Overall Width: 665mm
- Overall Depth: 700mm
- Bed Outside: 210mm
- Bed Inside: 106mm
- Bed Width: 570mm
- Ram Stroke: 150mm
- Ram Diameter: 105mm
- Nett Weight: 88kg

**MADE FOR THE
TRADE**

TQ TRADEQUIP
the trusted brand in equipment



About the brand

Our Flagship brand of garage and workshop equipment, TradeQuip is designed for use in a demanding garage and workshop environment by trade users. With proven and trusted "Made for the Trade" reliability, TradeQuip branded products offer the very best in performance for an affordable price. The TradeQuip range is covered by a 12 month trade use warranty.

Hydraulic Press - 30,000kg



Product Code: 1186T

The Tradequip "Made for the Trade" Hydraulic Workshop Press is great for straightening, stamping, bending and pressing any component that is hard to handle. The polished inner cylinder walls extend the life of the hydraulic seals to minimize abrasion and wear, while the cylinder ram and pistons are also polished and chromed, guided by high performance seals, wear rings and dust seals. Tradequip hydraulic systems are powered with high quality oil, to provide better corrosion resistance and high/low temperature flexibility, ensuring the power unit will continually operate under most Australian temperature conditions. Tradequip "Made for the Trade" Hydraulic Workshop Presses feature both a vertically-adjustable press bed and a professional quality hydraulic pump unit with integrated overload protection for improved performance, on a rugged, heavy-steel H-frame. 2 heavy-duty arbor 'V' press plates included!

It is ideal for a variety of workshop applications and in particular suited to agricultural or industrial use. Jobs such as straightening, bending, folding, punching, removing bolts and bearings etc, are some of the tasks that can be easily accomplished.

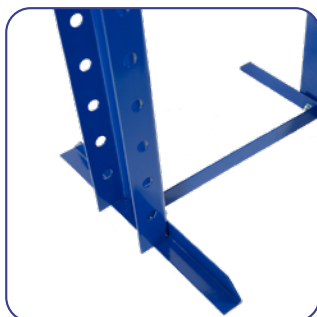
Features

- Heavy-duty H-frame constructed of high-grade steel and built to exacting standards for quality and durability
- Welded frame prevents flexing under maximum load
- Lead-free paint finish is applied after a thorough chemical wash to ensure a long-lasting finish and to help prevent rust
- Paint finish is oil, grease and dirt-resistant for easy cleanup
- High quality large diameter hydraulic steel cylinder unit results in lower oil pressure needed to raise the load, helping to reduce wear and extend service life
- Dependable double spring return for fast ram retraction
- Piston-ram is treated and polished for extended life
- Reinforced head bolster for added strength
- Pair of bed plates included

Specifications

- Safe Working Capacity: 30,000kg
- Working Range: 0-900mm
- Overall Height: 1690mm
- Overall Width: 830mm
- Overall Depth: 660mm
- Bed Outside: 315mm
- Bed Inside: 185mm
- Bed Width: 590mm
- Ram Stroke: 150mm
- Ram Diameter: 53mm
- Nett Weight: 142.7kg

**MADE FOR THE
TRADE**



About the brand

Our Flagship brand of garage and workshop equipment, Tradequip is designed for use in a demanding garage and workshop environment by trade users. With proven and trusted "Made for the Trade" reliability, Tradequip branded products offer the very best in performance for an affordable price. The Tradequip range is covered by a 12 month trade use warranty.

Hydraulic Press - 30,000kg

Product Code: 1187T

This "TradeQuip "Made for the Trade" 30,000kg Hydraulic Workshop Press is perfect for straightening, stamping, bending and pressing any component that is hard to handle. The high quality large diameter hydraulic steel cylinder unit results in lower oil pressure needed to compress the load, helping to reduce wear and extend service life. Polished inner cylinder walls extend the life of the hydraulic seals to minimize abrasion and wear. A polished and chromed cylinder ram and piston is guided by superior performance seals, wear rings and dust seals. Fitted with an integrated overload protection valve the ram is powered by a manual two-speed pump, and the non-slip bed winch features a steel cable roller for easy raising and lowering of the press bed. Designed with a superior quality oil filled dial gauge for accurate dual metric/tons pressure readings. To protect the operator against unexpected hazards during operation, this press is fitted with a heavy duty safety guard. Made of steel mesh in a mild steel frame it provides operator safety and visibility.

Features

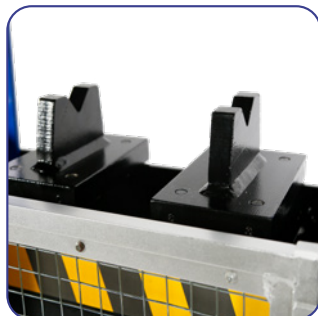
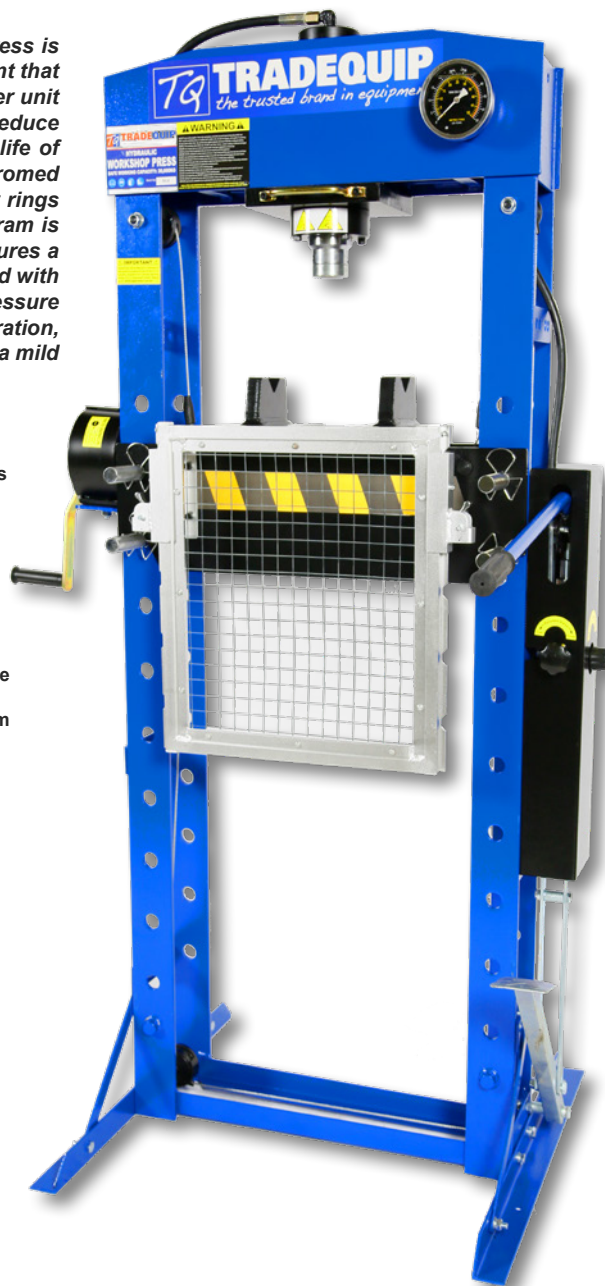
- Heavy-duty H-frame constructed of high-grade steel and built to exacting standards for quality and durability
- Foot & Hand 2 speed pump operates the ram at a slow or fast speed to improve operator efficiency
- Steel mesh safety cage provides operator safety and visibility
- 100mm pressure gauge
- Lead-free paint finish is applied after a thorough chemical wash to ensure a long-lasting finish and to help prevent rust
- Paint is oil, grease and dirt-resistant for easy cleanup
- High quality large diameter hydraulic steel cylinder unit results in lower oil pressure needed to raise the load, helping to reduce wear and extend service life
- Piston-ram is treated and polished and fitted with backup ring, preventing load from falling slowly or bypassing oil drift
- Hydraulics are powered with a high quality oil, which offers better corrosion resistance and high/low temperature flexibility, allowing the unit to operate at temperatures
- Integrated overload protection valve keeps from overloading the system
- Double spring ram return for fast ram retraction
- Extra tall working range for versatility
- Pair of bed plates included

Specifications

- Safe Working Capacity: 30,000kg
- Working Range: 186-1126mm
- Overall Height: 1838mm
- Overall Width: 865mm
- Overall Depth: 750mm
- Bed Outside: 255mm
- Bed Inside: 180mm
- Bed Width: 540mm
- Piston Ram Stroke: 160mm
- Ram Diameter: 58mm
- Bed Height Settings: 9
- Crate: 1920 x 780 x 270mm
- Weight: 206kg

MADE FOR THE TRADE

TQ TRADEQUIP
the trusted brand in equipment



About the brand

Our Flagship brand of garage and workshop equipment, TradeQuip is designed for use in a demanding garage and workshop environment by trade users. With proven and trusted "Made for the Trade" reliability, TradeQuip branded products offer the very best in performance for an affordable price. The TradeQuip range is covered by a 12 month trade use warranty.

Workshop Press Hydraulic - 45,000kg



Product Code: 2036T

This "TradeQuip "Made for the Trade" 45,000kg Hydraulic Workshop Press is perfect for straightening, stamping, bending and pressing any component that is hard to handle. With it's very wide 826mm bed width and 195mm inside bed gap this press becomes one of the most diverse Workshop Press in the TradeQuip range. Polished inner cylinder walls extend the life of the hydraulic seals to minimize abrasion and wear. A polished and chromed cylinder ram and piston is guided by top quality performance seals, wear rings and dust seals. The ram is powered by a manual two-speed pump, and the non-slip bed winch features a steel cable roller for easy raising and lowering of the press bed. This TradeQuip "Made for the Trade" Workshop Press also becomes more efficient the most with it's smooth and safe hand winch for fast and easy press bed height adjustment and the double spring ram return for fast ram retraction. Designed with a superior quality oil filled dial gauge for accurate dual metric/tons pressure readings.

Features

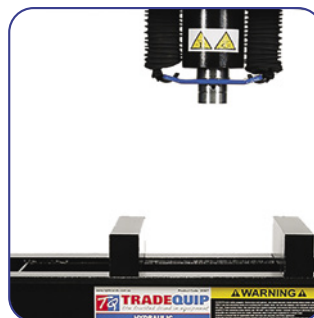
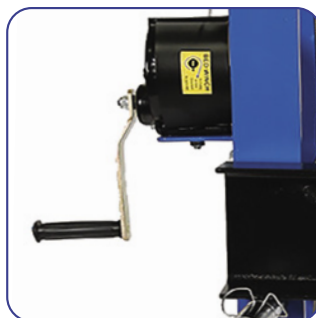
- Heavy-duty frame constructed of high-grade steel and built to exacting standards for quality and durability
- Foot operated air trigger ram travel control
- 100mm pressure gauge
- Polished pneumatic aluminum air motor with polyurethane double seal setup
- Bed winch for easy raise and lower adjustment
- Lead-free paint finish is applied after a thorough chemical wash to ensure a long-lasting finish and to help prevent rust
- Paint is oil, grease and dirt-resistant for easy cleanup
- High quality large diameter hydraulic steel cylinder unit results in lower oil pressure needed to raise the load, helping to reduce wear and extend service life
- Piston-ram is treated and polished and fitted with backup ring, preventing load from falling slowly or bypassing oil drift
- Hydraulics are powered with a high quality oil, which offers better corrosion resistance and high/low temperature flexibility, allowing the unit to operate at temperatures
- Includes hand winch for fast and easy press bed height adjustments
- Integrated overload protection valve keeps from overloading the system
- Double spring ram return for fast ram retraction



Specifications

- Safe Working Capacity: 45,000kg
- Working Range: 159-859mm
- Overall Height: 1707mm
- Overall Width: 1106mm
- Overall Depth: 826mm
- Bed Outside: 359mm
- Bed Inside: 195mm
- Bed Width: 826mm
- Piston Ram Stroke: 190mm
- Ram Diameter: 90mm
- Bed Height Settings: 6
- Nett Weight: 296kg
- Carton: 1040 x 390 x 1900mm
- Gross Weight: 335kg

MADE FOR THE TRADE



About the brand

Our Flagship brand of garage and workshop equipment, TradeQuip is designed for use in a demanding garage and workshop environment by trade users. With proven and trusted "Made for the Trade" reliability, TradeQuip branded products offer the very best in performance for an affordable price. The TradeQuip range is covered by a 12 month trade use warranty.

Workshop Press Air/Hydraulic - 45,000kg



Product Code: 2038T

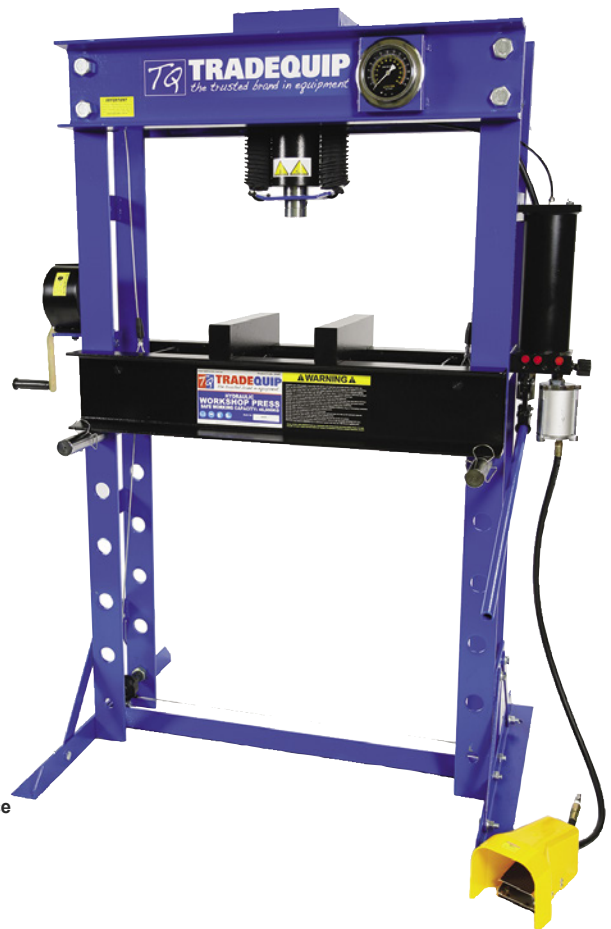
This "TradeQuip "Made for the Trade" 45,000kg Air Hydraulic Workshop Press is perfect for straightening, stamping, bending and pressing any component that is hard to handle. With it's very wide 826mm bed width and 195mm inside bed gap this press becomes one of the most diverse Workshop Press in the TradeQuip range. Polished inner cylinder walls extend the life of the hydraulic seals to minimize abrasion and wear. A polished and chromed cylinder ram and piston is guided by top quality performance seals, wear rings and dust seals. The ram is powered by a manual two-speed pump, and the non-slip bed winch features a steel cable roller for easy raising and lowering of the press bed. Featuring an integrated overload protection valve, the hydraulic system features an onboard extra long handle for easy manual pumping force when not in pneumatic mode. For maximum safety and ease of use this air hydraulic system has been equipped with a foot operated air trigger for ultimate versatility. This TradeQuip "Made for the Trade" Workshop Press also becomes more efficient the most with it's smooth and safe hand winch for fast and easy press bed height adjustment and the double spring ram return for fast ram retraction. Designed with a superior quality oil filled dial gauge for accurate dual metric/tons pressure readings.

Features

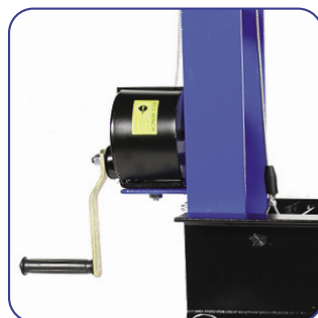
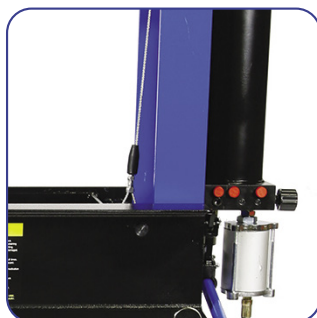
- Heavy-duty frame constructed of high-grade steel and built to exacting standards for quality and durability
- Foot operated air trigger ram travel control
- 100mm pressure gauge
- Polished pneumatic aluminum air motor with polyurethane double seal setup
- Bed winch for easy raise and lower adjustment
- Lead-free paint finish is applied after a thorough chemical wash to ensure a long-lasting finish and to help prevent rust
- Paint is oil, grease and dirt-resistant for easy cleanup
- High quality large diameter hydraulic steel cylinder unit results in lower oil pressure needed to raise the load, helping to reduce wear and extend service life
- Piston-ram is treated and polished and fitted with backup ring, preventing load from falling slowly or bypassing oil drift
- Hydraulics are powered with a high quality oil, which offers better corrosion resistance and high/low temperature flexibility, allowing the unit to operate at temperatures
- Includes hand winch for fast and easy press bed height adjustments
- Integrated overload protection valve keeps from overloading the system
- Double spring ram return for fast ram retraction

Specifications

- Safe Working Capacity: 45,000kg
- Working Range: 159-859mm
- Overall Height: 1707mm
- Overall Width: 1106mm
- Overall Depth: 800mm
- Bed Outside: 359mm
- Bed Inside: 195mm
- Bed Width: 826mm
- Piston Ram Stroke: 190mm
- Ram Diameter: 90mm
- Bed Height Settings: 6
- Operating Air Pressure: 110-125 psi
- Nett Weight: 301kg
- Carton: 1900 x 1040 x 500mm
- Gross Weight: 340kg



MADE FOR THE TRADE



About the brand

Our Flagship brand of garage and workshop equipment, TradeQuip is designed for use in a demanding garage and workshop environment by trade users. With proven and trusted "Made for the Trade" reliability, TradeQuip branded products offer the very best in performance for an affordable price. The TradeQuip range is covered by a 12 month trade use warranty.

Workshop Press Hydraulic - 20,000kg

Product Code: **BHSP20T**

This "Borum Industrial" 20,000kg Hydraulic Workshop Press is perfect for straightening, stamping, bending and pressing any component that is hard to handle. Polished inner cylinder walls extend the life of the hydraulic seals to minimize abrasion and wear, while the cylinder ram and pistons are also polished and chromed, guided by high performance seals, wear rings and dust seals. Includes a dial gauge for dual metric/tons pressure readings. To protect people against hazard of unexpected incidents during operation, this press includes a safety cage. Made of steel mesh in a mild steel frame it provides operator safety and visibility.

"Borum Industrial" Hydraulic Workshop Presses are available in a variety of capacities and sizes. The press frames are designed for maximum strength, reliability and durability. The strong frames and powerful high-pressure hydraulics will provide years of dependable service in many applications. When components need to be removed or assembled, "Borum Industrial" hydraulic presses deliver the controlled power to safely remove and install bearings, gears, U-joints, bushings, ball joints and pulleys with precision and versatility!

Features

- Heavy-duty welded H-frame constructed of high-grade steel and built to exacting standards for quality and durability
- Foot & Hand 2 speed pump operates the ram at a slow or fast speed to improve operator efficiency
- Steel mesh safety cage provides operator safety and visibility
- 100mm pressure gauge
- Lead-free paint finish is applied after a thorough chemical wash to ensure a long-lasting finish and to help prevent rust
- Paint is oil, grease and dirt-resistant for easy cleanup
- High quality large diameter hydraulic steel cylinder unit results in lower oil pressure needed to raise the load, helping to reduce wear and extend service life
- Piston-ram is treated and polished and fitted with backup ring, preventing load from falling slowly or bypassing oil drift
- Hydraulics are powered with a high quality oil, which offers better corrosion resistance and high/low temperature flexibility, allowing the unit to operate at temperatures
- Integrated overload protection valve keeps from overloading the system
- Double spring ram return for fast ram retraction
- Extra tall working range for versatility
- Pair of bed plates included

Specifications

- Safe Working Capacity: 20,000kg
- Working Range: 38-918mm
- Overall Height: 1626mm
- Overall Width: 730mm
- Overall Depth: 560mm
- Bed Outside: 172mm
- Bed Inside: 152mm
- Bed Width: 510mm
- Ram Stroke: 185mm
- Ram Diameter: 72mm
- Bed Height Settings: 8
- Nett Weight: 115kg
- Carton: 1690 x 705 x 270mm
- Gross Weight: 142kg

**INDUSTRIAL
QUALITY**

BORUM
INDUSTRIAL WORKSHOP EQUIPMENT

Superior
Quality
since
1984



About the Borum brand

Our "heavy duty commercial" range of Borum Industrial equipment has been manufactured to exacting standards for the past 40 years. We specify industrial quality components and design to ensure a long and durable working life in commercial transport, mining, earthmoving and railway environments. Our Borum Industrial range of equipment is focused on achieving superior professional standards, reliability, quality, and are covered by a 12 month trade use warranty.

Workshop Press Hydraulic - 30,000kg

Product Code: **BHSP30T**

This "Borum Industrial" 30,000kg Hydraulic Workshop Press is perfect for straightening, stamping, bending and pressing any component that is hard to handle. Polished inner cylinder walls extend the life of the hydraulic seals to minimize abrasion and wear, while the cylinder ram and pistons are also polished and chromed, guided by high performance seals, wear rings and dust seals. Includes a dial gauge for dual metric/tons pressure readings. To protect people against hazard of unexpected incidents during operation, this press includes a safety cage. Made of steel mesh in a mild steel frame it provides operator safety and visibility.

"Borum Industrial" Hydraulic Workshop Presses are available in a variety of capacities and sizes. The press frames are designed for maximum strength, reliability and durability. The strong frames and powerful high-pressure hydraulics will provide years of dependable service in many applications. When components need to be removed or assembled, "Borum Industrial" hydraulic presses deliver the controlled power to safely remove and install bearings, gears, U-joints, bushings, ball joints and pulleys with precision and versatility!

Features

- Heavy-duty welded H-frame constructed of high-grade steel and built to exacting standards for quality and durability
- Foot & Hand 2 speed pump operates the ram at a slow or fast speed to improve operator efficiency
- Steel mesh safety cage provides operator safety and visibility
- 100mm pressure gauge
- Lead-free paint finish is applied after a thorough chemical wash to ensure a long-lasting finish and to help prevent rust
- Paint is oil, grease and dirt-resistant for easy cleanup
- High quality large diameter hydraulic steel cylinder unit results in lower oil pressure needed to raise the load, helping to reduce wear and extend service life
- Piston-ram is treated and polished and fitted with backup ring, preventing load from falling slowly or bypassing oil drift
- Hydraulics are powered with a high quality oil, which offers better corrosion resistance and high/low temperature flexibility, allowing the unit to operate at temperatures
- Integrated overload protection valve keeps from overloading the system
- Double spring ram return for fast ram retraction
- Extra tall working range for versatility
- Pair of bed plates included

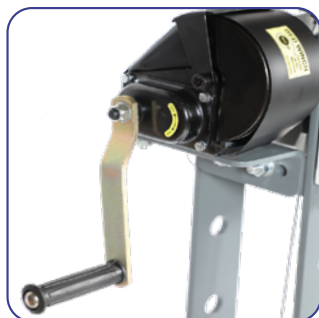
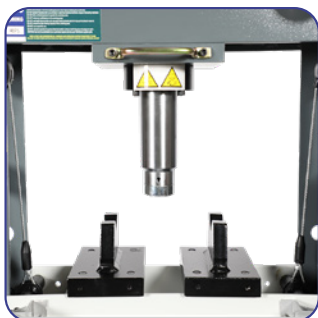
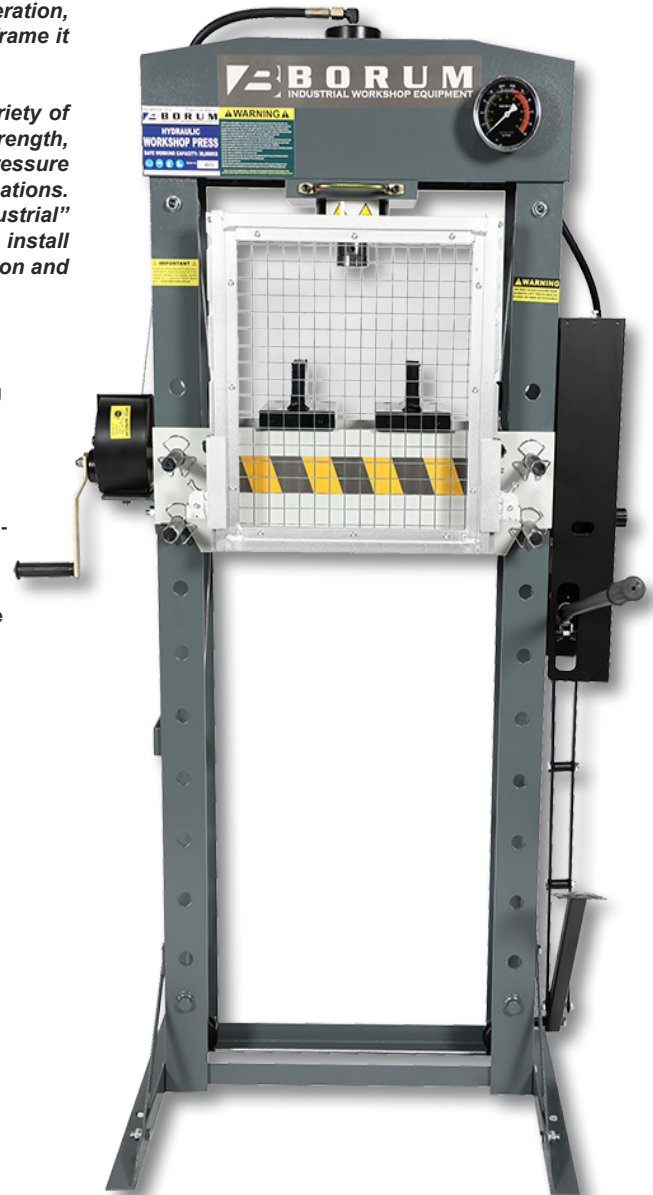
Specifications

- Safe Working Capacity: 30,000kg
- Working Range: 151-1031mm
- Overall Height: 1830mm
- Overall Width: 865mm
- Overall Depth: 700mm
- Bed Outside: 184mm
- Bed Inside: 164mm
- Bed Width: 535mm
- Ram Stroke: 150mm
- Ram Diameter: 80mm
- Bed Height Settings: 8
- Nett Weight: 167kg
- Carton: 2120 x 780 x 270mm
- Gross Weight: 212kg

**INDUSTRIAL
QUALITY**

BORUM
INDUSTRIAL WORKSHOP EQUIPMENT

Superior
Quality
since
1984



About the Borum brand

Our "heavy duty commercial" range of Borum Industrial equipment has been manufactured to exacting standards for the past 40 years. We specify industrial quality components and design to ensure a long and durable working life in commercial transport, mining, earthmoving and railway environments. Our Borum Industrial range of equipment is focused on achieving superior professional standards, reliability, quality, and are covered by a 12 month trade use warranty.

Workshop Press Air/Hydraulic - 75,000kg

Product Code: BSP75TA

This "Borum Industrial" 75,000kg Air Hydraulic Workshop Press is designed for automotive, truck, implement, fleet, and industrial repair shops where pressing, bending, straightening, forming, holding work requires high pressure hydraulics. Polished inner cylinder walls extend the life of the hydraulic seals to minimize abrasion and wear, while the cylinder ram and pistons are also polished and chromed, guided by high performance seals, wear rings and dust seals. Includes a dial gauge for dual metric/tons pressure readings.

"Borum Industrial" Air Hydraulic Workshop Presses are available in a variety of capacities and sizes. The press frames are designed for maximum strength, reliability and durability. The strong frames and powerful high-pressure hydraulics will provide years of dependable service in many applications. When components need to be removed or assembled, "Borum Industrial" hydraulic presses deliver the controlled power to safely remove and install bearings, gears, U-joints, bushings, ball joints and pulleys with precision and versatility!

Features

- Heavy-duty H-frame constructed of high-grade steel and built to exacting standards for quality and durability
- Foot operated air trigger ram travel control
- 100mm pressure gauge
- Table winch system lowers or raises the bed
- High quality large diameter hydraulic steel cylinder unit results in lower oil pressure needed to raise the load, helping to reduce wear and extend service life
- Piston-ram is treated and polished and fitted with backup ring, preventing load from falling slowly or bypassing oil drift
- Hydraulics are powered with a high quality oil, which offers better corrosion resistance and high/low temperature flexibility, allowing the unit to operate at temperatures
- Integrated overload protection valve keeps from overloading the system
- Lead-free paint finish is applied after a thorough chemical wash to ensure a long-lasting finish and to help prevent rust
- Paint is oil, grease and dirt-resistant for easy cleanup
- Extra tall working range for versatility
- Pair of bed plates included

Specifications

- Safe Working Capacity: 75,000kg
- Working Range: 170-884mm
- Overall Height: 1925mm
- Overall Width: 1146mm
- Overall Depth: 800mm
- Bed Width: 800mm
- Piston Ram Stroke: 260mm
- Bed Height Settings: 8
- Operating Air Pressure: 110-125psi
- Nett Weight: 451kg
- Crate: 1070x400x2110mm
- Gross Weight: 498kg



BORUM
INDUSTRIAL WORKSHOP EQUIPMENT

Superior
Quality
since
1984



**INDUSTRIAL
QUALITY**



About the Borum brand

Our "heavy duty commercial" range of Borum Industrial equipment has been manufactured to exacting standards for the past 40 years. We specify industrial quality components and design to ensure a long and durable working life in commercial transport, mining, earthmoving and railway environments. Our Borum Industrial range of equipment is focused on achieving superior professional standards, reliability, quality, and are covered by a 12 month trade use warranty.

Workshop Press Air/Hydraulic - 100,000kg

Product Code: BSP100TA

This "Borum Industrial" 100,000kg Air Hydraulic Workshop Press is designed for automotive, truck, implement, fleet, and industrial repair shops where pressing, bending, straightening, forming, holding work requires high pressure hydraulics. Polished inner cylinder walls extend the life of the hydraulic seals to minimize abrasion and wear, while the cylinder ram and pistons are also polished and chromed, guided by high performance seals, wear rings and dust seals. Includes a dial gauge for dual metric/tons pressure readings.

"Borum Industrial" Air Hydraulic Workshop Presses are available in a variety of capacities and sizes. The press frames are designed for maximum strength, reliability and durability. The strong frames and powerful high-pressure hydraulics will provide years of dependable service in many applications. When components need to be removed or assembled, "Borum Industrial" hydraulic presses deliver the controlled power to safely remove and install bearings, gears, U-joints, bushings, ball joints and pulleys with precision and versatility!

Features

- Heavy-duty H-frame constructed of high-grade steel and built to exacting standards for quality and durability
- Foot operated air trigger ram travel control
- 100mm pressure gauge
- Table winch system lowers or raises the bed
- High quality large diameter hydraulic steel cylinder unit results in lower oil pressure needed to raise the load, helping to reduce wear and extend service life
- Piston-ram is treated and polished and fitted with backup ring, preventing load from falling slowly or bypassing oil drift
- Hydraulics are powered with a high quality oil, which offers better corrosion resistance and high/low temperature flexibility, allowing the unit to operate at temperatures
- Integrated overload protection valve keeps from overloading the system
- Lead-free paint finish is applied after a thorough chemical wash to ensure a long-lasting finish and to help prevent rust
- Paint is oil, grease and dirt-resistant for easy cleanup
- Extra tall working range for versatility
- Pair of bed plates included

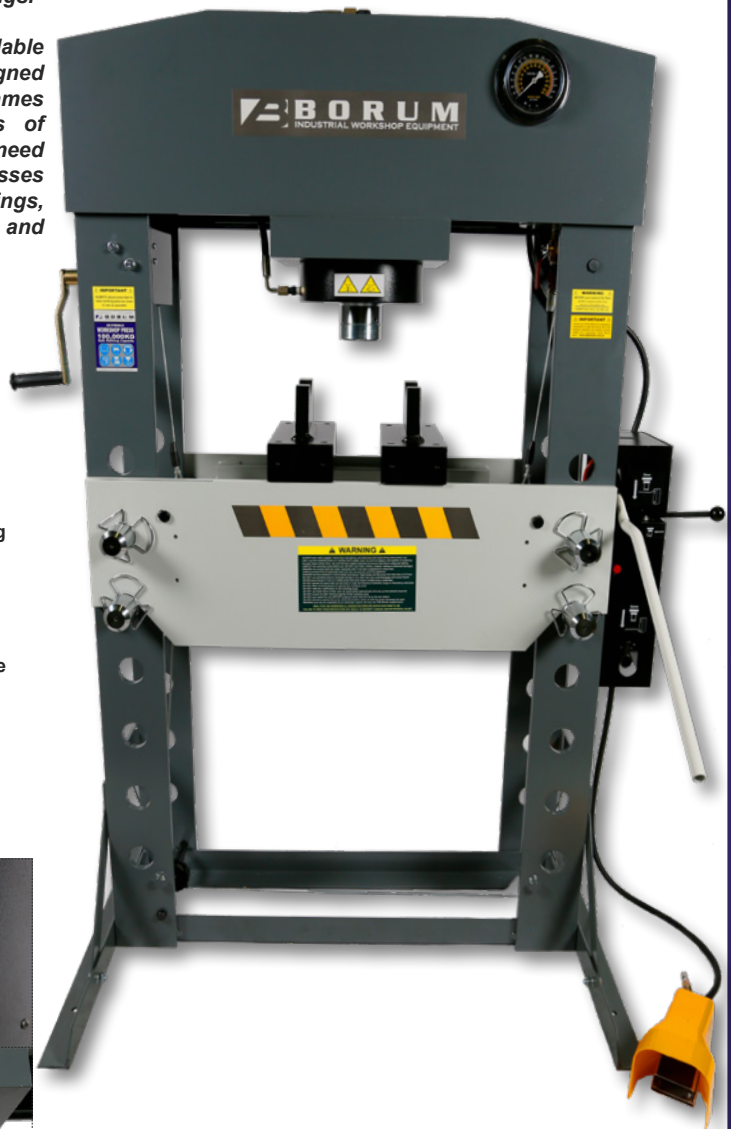
Specifications

- Safe Working Capacity: 100,000kg
- Working Range: 113-813mm
- Overall Height: 2048mm
- Overall Width: 1199mm
- Overall Depth: 990mm
- Bed Width: 787mm
- Piston Ram Stroke: 300mm
- Bed Height Settings: 6
- Operating Air Pressure: 110-125psi
- Air Inlet: 1/4"NPT
- Nett Weight: 652kg
- Crate: 1150x380x2044mm
- Gross Weight: 762kg



BORUM
INDUSTRIAL WORKSHOP EQUIPMENT

Superior
Quality
since
1984



**INDUSTRIAL
QUALITY**



About the Borum brand

Our "heavy duty commercial" range of Borum Industrial equipment has been manufactured to exacting standards for the past 40 years. We specify industrial quality components and design to ensure a long and durable working life in commercial transport, mining, earthmoving and railway environments. Our Borum Industrial range of equipment is focused on achieving superior professional standards, reliability, quality, and are covered by a 12 month trade use warranty.

Workshop Press Air/Hydraulic - 30,000kg

Product Code: PROSHPR30TA

This TQ Pro "Latest Technologies" 30,000kg Air Hydraulic Workshop Press is capable of bending, pressing or extruding and makes light work of installing ball joints, U-joints and pulleys - making it ideal for many automotive and industrial applications. Polished inner cylinder walls extend the life of the hydraulic seals to minimize abrasion and wear, while the cylinder ram and pistons are also polished and chromed, guided by high performance seals, wear rings and dust seals. Includes a dial gauge for dual metric/tons pressure readings. The strong frames and powerful high-pressure hydraulics will provide years of dependable service in many applications. When components need to be removed or assembled, TQ Pro "Latest Technologies" hydraulic presses deliver the controlled power to safely remove and install bearings, gears, U-joints, bushings, ball joints and pulleys with precision and versatility! This 30,000kg Air Hydraulic Workshop Press features a fast-pump core that allows the pressure head assembly to lower and make contact with the work piece more quickly than the slow-pump core. The ram cylinder glides across the width of the upper frame allowing off-centre pressing.

Includes a set of mandrill pressing attachments.

Features

- Premium-grade steel built to exacting standards for quality and durability
- Lead-free paint finish is applied after a thorough chemical wash to ensure a long-lasting finish and to help prevent rust
- Paint is oil, grease and dirt-resistant for easy clean up
- High quality large diameter hydraulic steel cylinder unit results in lower oil pressure needed to raise the load, helping to reduce wear and extend service life
- Hydraulics are powered with a high quality oil, which offers better corrosion resistance and high/low temperature flexibility
- Foot Operated air trigger ram travel control
- Bed winch with swivel handle
- Integrated overload protection valve keeps from overloading the system
- Extra-long handle included for easy pumping force
- Foot pedal for pneumatic operation
- Handy removable parts tray
- Includes a set of mandrill pressing attachments

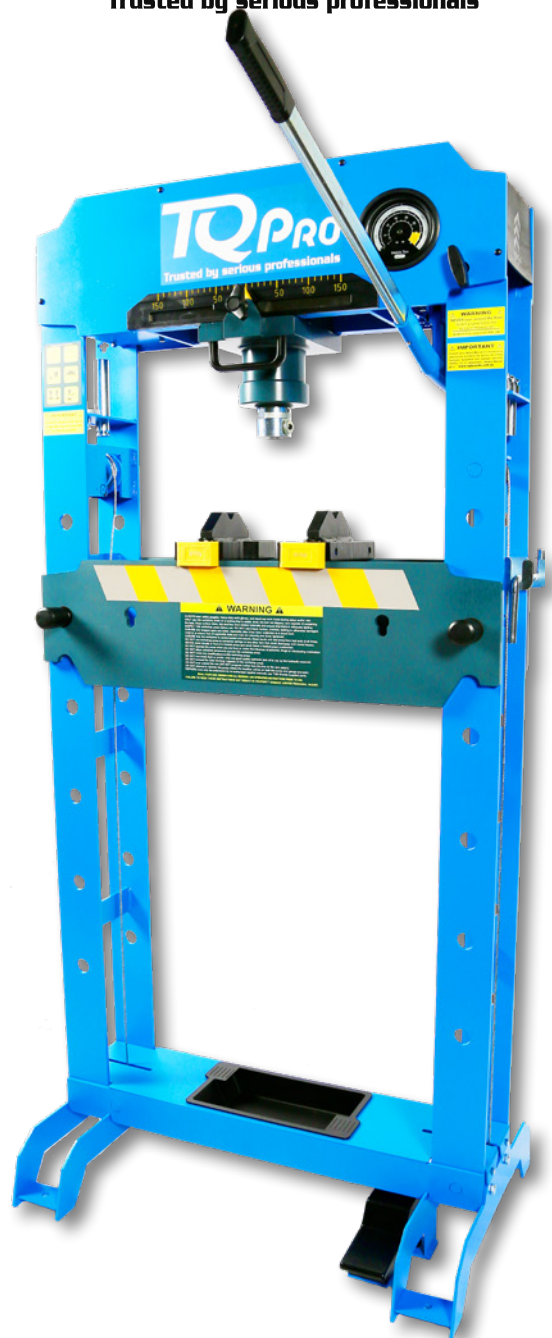
Specifications

- Safe Working Capacity: 30,000kg
- Working Range: 25-850mm
- Overall Height: 1800mm
- Overall Width: 770mm
- Overall Depth: 505mm
- Bed Outside: 164mm
- Bed Inside: 148mm
- Bed Width: 600mm
- Piston Ram Stroke: 200mm
- Screw Adjustment: 75mm
- Ram Diameter: 58mm
- Bed Height Settings: 6
- Nett Weight: 163kg
- Crate: 850 x 350 x 180mm
- Gross Weight: 178kg

**Professional
Reputable
Outstanding**

TQ PRO

Trusted by serious professionals



**LATEST APPLIED
TECHNOLOGIES**


STRONG
PRECISE
RELIABLE
WELL FINISHED

LATEST APPLIED TECHNOLOGIES

Workshop Press Air/Hydraulic - 50,000kg

Product Code: PROSHPR50TA

This TQ Pro "Latest Technologies" 50,000kg Air Hydraulic Workshop Press is capable of bending, pressing or extruding and makes light work of installing ball joints, U-joints and pulleys - making it ideal for many automotive and industrial applications. Polished inner cylinder walls extend the life of the hydraulic seals to minimize abrasion and wear, while the cylinder ram and pistons are also polished and chromed, guided by high performance seals, wear rings and dust seals. Includes a dial gauge for dual metric/tons pressure readings. The strong frames and powerful high-pressure hydraulics will provide years of dependable service in many applications. When components need to be removed or assembled, TQ Pro "Latest Technologies" hydraulic presses deliver the controlled power to safely remove and install bearings, gears, U-joints, bushings, ball joints and pulleys with precision and versatility! This 30,000kg Air Hydraulic Workshop Press features a fast-pump core that allows the pressure head assembly to lower and make contact with the work piece more quickly than the slow-pump core. The ram cylinder glides across the width of the upper frame allowing off-centre pressing.

Includes a set of mandrill pressing attachments.

LATEST APPLIED TECHNOLOGIES

Features

- Premium-grade steel built to exacting standards for quality and durability
- Lead-free paint finish is applied after a thorough chemical wash to ensure a long-lasting finish and to help prevent rust
- Paint is oil, grease and dirt-resistant for easy clean up
- High quality large diameter hydraulic steel cylinder unit results in lower oil pressure needed to raise the load, helping to reduce wear and extend service life
- Hydraulics are powered with a high quality oil, which offers better corrosion resistance and high/low temperature flexibility
- Foot Operated air trigger ram travel control
- Bed winch with swivel handle
- Integrated overload protection valve keeps from overloading the system
- Extra-long handle included for easy pumping force
- Foot pedal for pneumatic operation
- Handy removable parts tray
- Includes a set of mandrill pressing attachments

Specifications

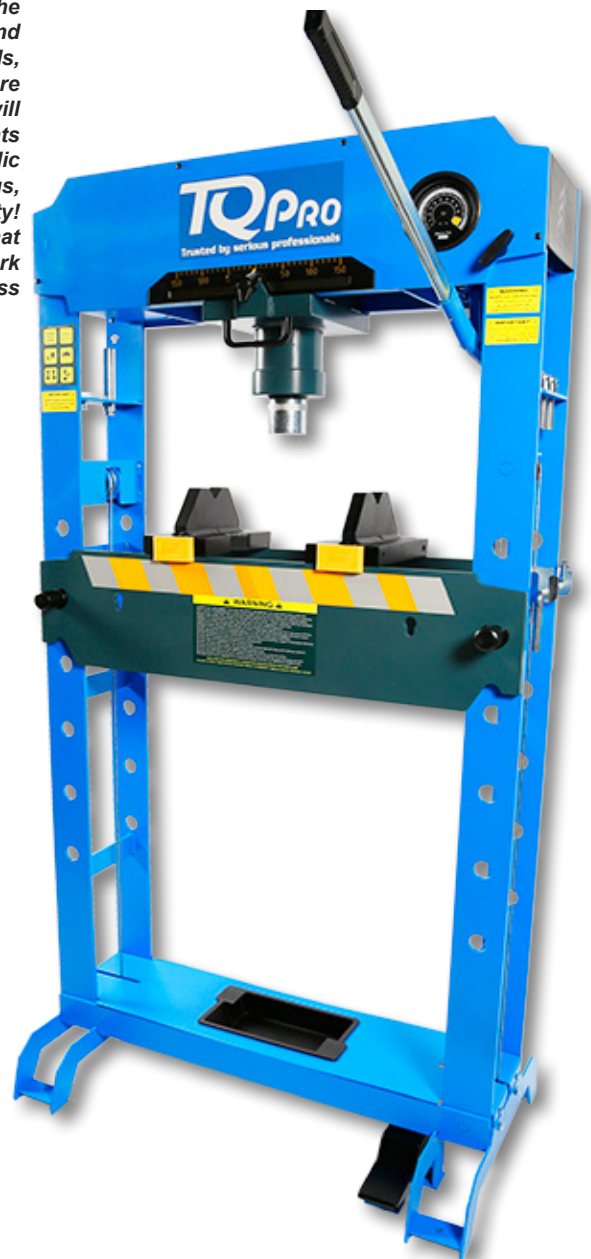
- Safe Working Capacity: 50,000kg
- Working Range: 80-780mm
- Overall Height: 1900mm
- Overall Width: 930mm
- Overall Depth: 535mm
- Bed Inside: 200mm
- Bed Width: 750mm
- Piston Ram Stroke: TBC
- Screw Adjustment: 75mm
- Bed Height Settings: 6
- Nett Weight: 243kg
- Crate: 1900 x 1000 x 450mm
- Gross Weight: 258kg

Professional
Reputable
Outstanding



TQ PRO

Trusted by serious professionals



LATEST APPLIED TECHNOLOGIES


STRONG
PRECISE
RELIABLE
WELL FINISHED

Hydraulic Press Adaptor Kit

Product Code: BPAK

The Borum Hydraulic Press Adaptor Kit includes 8 different sized pins (mandrels) ranging from 2,000kg to 20,000kg capacity, a pin holder, a storage shelf along with a mounting kit, and a pin plate with the weight capacity shown for each pin. This very handy set of eight steel mandrels, adaptor and press plate expands the uses of your workshop press for a wider range of applications involving different sized work pieces

Kit contains; (Mandrel Length x Diameter)

50mm x 10mm
 60mm x 12mm
 60mm x 16mm
 85mm x 18mm
 85mm x 20mm
 85mm x 22mm
 15mm x 25mm
 110mm x 30mm
 Mountable storage rack
 Weight: 5kg

**INDUSTRIAL
 QUALITY**



BORUM
 INDUSTRIAL WORKSHOP EQUIPMENT

Superior
 Quality
 since
1984



About the Borum brand

Our "heavy duty commercial" range of Borum Industrial equipment has been manufactured to exacting standards for the past 40 years. We specify industrial quality components and design to ensure a long and durable working life in commercial transport, mining, earthmoving and railway environments. Our Borum Industrial range of equipment is focused on achieving superior professional standards, reliability, quality, and are covered by a 12 month trade use warranty.

Air/Hydraulic Pump - 10,000psi

Product Code: 2054T

This "TradeQuip Made for the Trade" hand or foot hydraulic air pump is designed to operate pneumatically. It is an ideal power source for various body, frame and alignment applications and can be used with different ram kits, shop presses and hydraulic pullers (not included) that operate with a hydraulic oil pressure requirement of up to 10,000 psi. This heavy duty hydraulic air pump connects via a 1/4" NPT air nipple and a 3/8" NPT hydraulic adaptor.

Hydraulic hose and adaptor kit not included.
 Available separately use Product Code: 2054-H

**MADE FOR THE
 TRADE**

Features

- Made of Durable Light-weight Corrosion-free Aluminium
- Built-in Overload System prevents pump from being used beyond its safety capacity
- Hand of Foot Activation Lever
- Filter prevents contaminants from entering hydraulic system

Specifications

- Maximum output pressure: 10,000psi
- Usable Hydraulic Fluid Capacity: 2.25 Litres
- Operating air pressure: 90-145 psi
- Air consumption: 7.5CFM @ 100 psi
- Oil Delivery with No Load: 49.5 cu.in/min
- Oil Delivery with Load: 7.6 cu.in/min
- Input (Air) port thread: 1/4" -18 NPT
- Output (Oil) port thread: 3/8" -18 NPT
- Weight: 8kg

Hydraulic hose and adaptor kit not included
 Available separately use Product Code: 2054-H



TQ TRADEQUIP
 the trusted brand in equipment



About the brand

Our Flagship brand of garage and workshop equipment, TradeQuip is designed for use in a demanding garage and workshop environment by trade users. With proven and trusted "Made for the Trade" reliability, TradeQuip branded products offer the very best in performance for an affordable price. The TradeQuip range is covered by a 12 month trade use warranty.

Gear Puller Kit 23 Piece

Product Code: 9023T

This versatile TradeQuip "Made for the Trade" Hydraulic Puller Set includes everything you need to pull gears from 20mm to 105mm in diameter. Constructed from heat-treated steel, this durable set is perfect for pulling bearings, timing gears, steering wheels and pulleys on most cars and light trucks.

This gear puller set comes in an individually organised carrying case, making it perfect for both the automotive professional or serious DIY enthusiast.

Features

- Quality ram for durability & reliability
- Includes bearing separator & extensions rods
- 2 or 3 Jaw Operation
- Heat-treated Chrome Vanadium steel
- Hydraulic ram develops up to 10,000kg
- Hardened to HRC 42-45
- Twin and triple heads included for assembling 2-jaw and 3-jaw pullers
- Housed in blow mould storage case
- Rated to 80kN providing 10,000kg of force



Specifications

- Capacity: 10,000kg
- Bearing Separator: 20-105mm
- Twin/triple head, beam and legs to build: 100, 150 and 200mm
- Two and three leg hydraulic pullers with separator capacity: 75-105mm
- Size: 355L x 195W x 150Hmm

TQ TRADEQUIP
the trusted brand in equipment

MADE FOR THE TRADE



Universal Press and Pull Sleeve Kit 26 Piece

Product Code: 9024T

This versatile TradeQuip "Made for the Trade" Universal Press and Pull Sleeve Kit includes everything you need to remove and install bushes, bearings and seals. Constructed from heat-treated forged high carbon steel, this durable set is perfect for the removal and installation for Bearing bushes, Silent bearing, Hydraulic bearing and Rubber bearing. This unit comes in an individually organised carrying case, making it perfect for both the automotive professional or serious DIY enthusiast.

The professional "Made for the Trade" 26pce Press and Pull Sleeve Kit has applications across several industries.

Features

- 20 Sleeves Constructed from heat-treated forged high carbon steel
- Sturdy Blow Mould Carry Case

Specifications

- 4 Beams
- 3 1/2" Sleeves
- 20 Sleeves
- 11 pieces (GOLD):
D44xD34; D46xD36; D54xD44; D56xD46;
D58xD48; D66xD56; D68xD46; D58xD48;
D66xD56; D68xD58; D70xD460; D78xD68;
D80xD70; D82xD72
- 9 pieces (SILVER):
D48xD38; D40xD30; D52xD42; D60xD50;
D62xD52; D72xD62; D74xD64; D76xD66



TQ TRADEQUIP
the trusted brand in equipment

MADE FOR THE TRADE



About the brand

Our Flagship brand of garage and workshop equipment, TradeQuip is designed for use in a demanding garage and workshop environment by trade users. With proven and trusted "Made for the Trade" reliability, TradeQuip branded products offer the very best in performance for an affordable price. The TradeQuip range is covered by a 12 month trade use warranty.

Universal Press Support Block 30,000kg



Product Code: 9025T

This versatile TradeQuip "Made for the Trade" Universal Press Support offers an adjustable and stable support base for vehicle hubs and other complicated shapes to allow bearings to be pressed in or out accurately.

For use with a Workshop up to 30,000KG, the three point contact guarantees a perfect, safe support.

Features

Made from Billet Aluminum

Spacer block made from lightweight aluminium

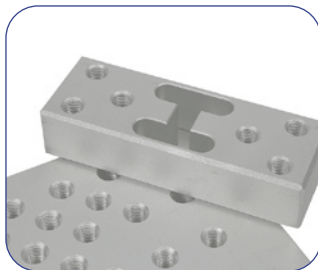


Specifications

Rated to a maximum use of 30,000k

Overall Size: Base Block: 250 x 200 x 40mm

Height Adaptor Block: 200 x 70 x 40mm



About the brand

Our Flagship brand of garage and workshop equipment, TradeQuip is designed for use in a demanding garage and workshop environment by trade users. With proven and trusted "Made for the Trade" reliability, TradeQuip branded products offer the very best in performance for an affordable price. The TradeQuip range is covered by a 12 month trade use warranty.



TQB Brands Pty Ltd

TQB Brands has grown to become one of the most respected garage equipment suppliers in Australia and markets the recognised leading brands TradeQuip, TQ Pro, Borum and Red Label Nationally through 1000+ distributors. We offer an extensive range of products including Garage & Workshop, Industrial, Agricultural and Vehicle Service Equipment. We continually strive to introduce new and innovative garage and workshop tools and equipment for the professional, which comply with mandatory Australian Standards. TQB Brands aims to achieve great value for money whilst not compromising on quality. TQB Brands prides itself on offering fit for purpose product through our tiered brand offerings.



Our **Flagship** brand of garage and workshop equipment, **TradeQuip** is designed for use in a demanding **garage and workshop** environment by trade users. With proven and trusted **"Made for the Trade"** reliability, **TradeQuip** branded products offer the very best in performance for an affordable price. The **TradeQuip** range is covered by a **12 month trade use warranty**.



Our **"heavy duty commercial"** range of **Borum Industrial** equipment has been manufactured to exacting standards for the past **40 years**. We specify industrial quality components and design to ensure a long and durable working life in **commercial transport, mining, earthmoving and railway** environments. Our **Borum Industrial** range of equipment is focused on achieving superior professional standards, reliability, quality, and are covered by a **12 month trade use warranty**.



Trusted by serious professionals

Professional
Reputable
Outstanding

**LATEST APPLIED
TECHNOLOGIES**

TQ Pro top quality Tools and Equipment are designed and manufactured for specialist professional use in a garage and workshop environment. **TQ Pro** products are strong, reliable, and well finished for the **expert tool user** who appreciates professional design, reliability, and attention to detail. Covered by our **12 month trade use warranty**, our **TQ Pro** Tools & Equipment are made with pride to deliver the best combination of professional performance, presentation, and reliability.