

Owners Manual

Product Code: 1003T

**MADE FOR THE
TRADE**

TQ TRADEQUIP
the trusted brand in equipment

PARTS WASHER



Specifications:

- Tank Volume: 90Litres
- Pump Power: 240V/50Hz/0.5A
- Pump Output: 3.15 Litres per minute
- Tank Dimensions: 758(L) x 527(W) x 275(H)mm
- Minimum Cleaning Fluid Capacity: 18Litres
- Maximum Cleaning Fluid Capacity: 45 Litres
- Overall Dimensions: 780(L) x 540(W) x 908(H)mm
- Nett Weight: 23kg
- Carton: 790 x 550 x 320mm
- Gross Weight: 26kg

About the TradeQuip brand

The 'TradeQuip' brand of workshop equipment, is designed for use in a demanding workshop environment by professional users. With proven and trusted "Made for the Trade" reliability, 'TradeQuip' branded products offer the very best in performance for an affordable price. All backed by a 1year trade guarantee across 1,000+ distributors Australia wide.

TQ TRADEQUIP
the trusted brand in equipment

TQPro
Trusted by serious professionals

BORUM
INDUSTRIAL WORKSHOP EQUIPMENT

WARNING

IMPORTANT: READ ALL INSTRUCTIONS BEFORE USE



WARNING

The instructions and warnings contained in this manual should be read and understood before using or operating this equipment. Do not allow anyone to use or operate this equipment until they have read this manual and have developed a thorough understanding of how this equipment works. Failure to observe any of the instructions contained in the manual could result in severe personal injury to the user or bystanders, or cause damage to the equipment and property. Keep this manual in a convenient and safe place for future reference.

Whilst every effort has been made to ensure accuracy of information contained in this manual, the TQB Brands Pty Ltd policy of continuous improvement determines the right to make modifications without prior warning.

CONTENT

WARNING 2

CONTENT 2

STANDARD OPERATING PROCEDURE 3

ASSEMBLY, OPERATION, PREVENTITIVE MAINTENANCE 4

PARTS LIST 5

WARRANTY 6

STANDARD OPERATING PROCEDURE

DO NOT use this machine unless you have been trained and assessed to a competent level in its safe use and operation, and have been given permission to use this



Safety glasses must be worn when operating this equipment



Long loose hair must be contained when operating this equipment



Safety footwear must be worn when operating this equipment



Close fitting/protective clothing must be worn when operating this equipment

PRE-OPERATIONAL SAFETY CHECKS

- Always wear suitable protective clothing, gloves and goggles.
- Clean off any accidental splashes of parts cleaning fluid on the skin.
- Follow cleaning fluid manufacturer's instructions carefully.
- Always check for damage. Before using the washer, any damaged part, should be checked to ensure that it will operate properly, and perform its intended function. Any damage should be repaired or the part replaced.
- Always disconnect the parts washer from the power supply before carrying out any maintenance or cleaning of the parts washer unit.
- Always keep work area clean. Cluttered areas and benches invite accidents.
- Always keep children away. All visitors should be kept a safe distance from the work area, especially whilst operating the machine.
- Always ensure the switch is off before plugging in to mains. Avoid accidental starting.
- When servicing, use only TradeQuip identical replacement parts. Use of any other parts will void the warranty. Ensure the parts washer is disconnected from power before servicing.
- Use the right product for the job. There are certain applications for which the Parts Washer was designed. Do not modify the Parts Washer and do not use the Parts Washer for a purpose for which it was not intended.



Best cleaning results will be achieved with TradeQuip Parts Washer Cleaning Fluid

INTENDED USE

Best suited for low-volume items, this Parts Washer is typically ideal for cleaning smaller parts, where contaminants can be removed with a brush under low pressure.

ASSEMBLY, OPERATION, PREVENTITIVE MAINTENANCE

1. FEATURES

The TradeQuip Parts Washer has a large tank with component shelf, plus small parts tray. Suitable for use with aqueous (water) based solutions only. Petroleum based cleaning fluids are harmful and will damage the pump and void the warranty. Incorporated is a "Quick Close" fusible link that automatically closes the lid in case of fire. The unit has a built in replacement cleaning fluid filter and easy maintenance 240V cleaning fluid pump.

2. ASSEMBLY

Unpacking: after removing the packing material, make sure the product is in perfect condition and that there are no visible damaged parts. The packaging materials (Polyethylene bags, polystyrene etc.), must be disposed of in an appropriate refuse collection container. Recycle cardboard.

1. Choose a firm, flat and level surface to site the machine on, in a well ventilated area and away from any naked flames.
2. Assemble the legs and shelf to the parts washer as shown in the diagram on page (6), using the screws and nuts supplied.
3. Remove the pump housing cover plate (2 self-tapping screws) and dispose of any packaging around the pump.
4. Replace the cover plate and mount the pump housing through the slot in the side of the tank. The switch housing protrudes through the slot with its underside hooking over the edge of the tank.
5. Ensure all packaging is removed before filling with parts washer fluid.

3. BEFORE USE

Prior to each use conduct a visual inspection by checking for abnormal conditions, such as cracked joins and damaged, loose, or missing parts.

Cleaning Solutions:

The pump of your parts washer will be damaged if you use any solvents other than water based solvents. Never use any flammable liquids.

Use of non-water based solutions will void the warranty for improper use.

Recommended Parts Washer Solution **TradeQuip 5082**. 20 Litres makes up to 100 Litres.

**Warning: For use with aqueous (water) based solutions only. Petroleum based cleaning fluids are harmful and will damage the pump and void the warranty.*

4. OPERATION

1. Fill the parts washer only with a non-flammable parts cleaning fluid, to just below the level of the parts shelf. **DO NOT** fill with flammable petroleum solvents such as paraffin, thinners, etc.
2. Open the lid, switch the pump on and hold the part to be cleaned under the nozzle, slowly rotate the component until clean. Use a brush to loosen stubborn grime.
3. When clean, leave to drain on the tray or in a small component container until dry.
4. Switch off the pump and close the lid and disconnect the power supply.
5. Drain the parts cleaning fluid, if left inactive for multiple days and store safely.

Note: Any spillages should be mopped up immediately, so as not to cause a safety hazard.

Important:

1. The lid stay incorporates a "Quick Close" fire safety device in the form of a fusible link, which closes the lid in the event of fire. The link is non-resetting and must be replaced should it be activated.
2. Clean the pump filter regularly, by sliding it away from the pump housing and rinsing it in clean parts cleaning fluid.
3. Do not allow the level of fluid in the parts washer to fall below the pump inlet, as damage to the pump can result. (Minimum fluid capacity is 33 Litres)

5. STORAGE

This Parts Washer should always be stored in a dry location on a level surface. Disconnect 240V power supply and empty the parts cleaning fluid into a container.

6. MAINTENANCE

Disconnect power prior to any maintenance. Inspect the general condition of the Parts Washer checking:

- For loose hardware
- Misalignment of binding or parts, cracked, bent, or broken parts, and
- Any other condition that may affect the Parts Washers safe operation
- Disconnect 240V power plug, remove flex hose from pump flow-out line
- Remove cover of pump housing. Clean any foreign matter lodged around impeller
- Re-assemble in reverse order
- For heavy build-up of dirt and grime, our enamel paint finish can be cleaned with spray wax. Lightly spray the wax on the surface, and gently wipe with a soft, dry microfiber cloth.
- Window cleaner and a soft cloth dampened with water can be used to clean the finish on a regular basis.

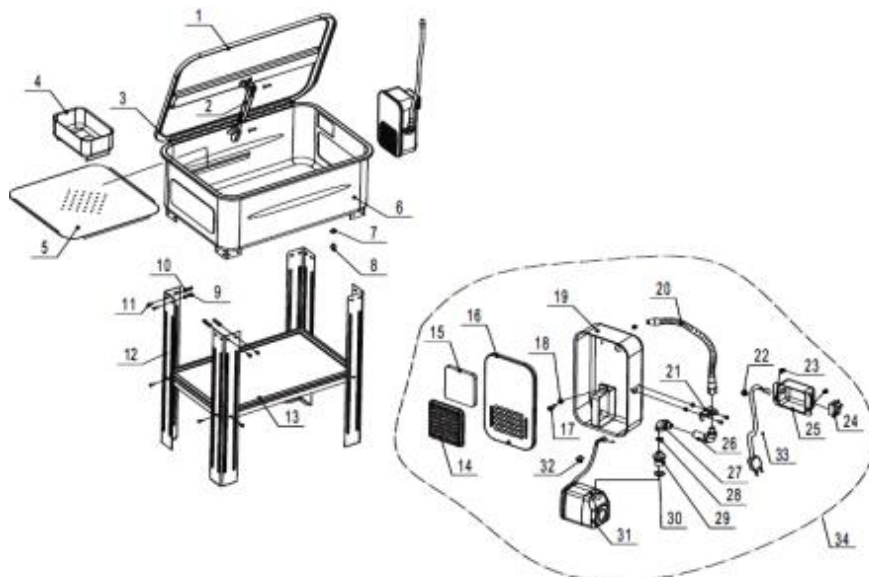
7. SERVICE & REPAIR

Any Parts Washer found damaged in any way, or found to be worn or operates abnormally should be removed from service until repaired by an authorised service agent. Owners and/or operators should be aware that repair of this product may require specialised equipment and knowledge. Only authorised parts, labels and decals shall be used on this equipment. Annual inspection of the Parts Washer is recommended and can be made by an authorised repair facility to ensure that your equipment is in optimum condition and that the equipment has the correct decals and safety labels specified by the manufacturer.

PARTS LIST

Part #	Description	QTY
1	Lid	1
2	Fusible Link	1
3	Shaft	1
4	Work Basket	1
5	Work Shelf	1
6	Body	1
7	O-ring	1
8	Plug	1
9	M6 Nut	24
10	Spring Washer	24
11	M6x12 Screw	24
12	Leg	4
13	Shelf	1
14	Filter Cover	1
15	Filter	1
16	Pump Housing Cover	1
17	M5x20 Screw	1

Part #	Description	QTY
18	M5 Nut	1
19	Pump Housing	1
20	Flexible Pipe	1
21	Elbow Seat	1
22	Strain Relief	1
23	M4x8 Screw (with Nut, Spring Washer and Flat Washer)	5
24	Switch	1
25	Switch Box	1
26	Elbow-1	1
27	Elbow-2	1
28	O-ring	1
29	Connector	1
30	O-ring	1
31	Pump	1
32	Strain Relief	1
33	Cable & Plug	1
34	Pump Assembly	1



WARRANTY

TradeQuip products have been carefully tested and inspected before shipment and are guaranteed to be free from defective materials and workmanship for a period of 12 months from the date of purchase except where tools are hired out when the guarantee period is ninety days from the date of purchase.

Should this piece of equipment develop any fault, please return the complete tool to your nearest authorised warranty repair agent or contact TQB Brands Pty Ltd Warranty team – warranty@tqbbrands.com.au.

If upon inspection it is found that the fault occurring is due to defective materials or workmanship, repairs will be carried out free of charge. This guarantee does not apply to normal wear and tear, nor does it cover any damage caused by misuse, careless or unsafe handling, alterations, accident, or repairs attempted or made by any personnel other than the authorised TQB Brands Pty Ltd repair agent.

This guarantee applies in lieu of any other guarantee expressed or implied and variations of its terms are not authorised.

Your TQB Brands Pty Ltd guarantee is not effective unless you can produce upon request a dated receipt or invoice to verify your proof of purchase within the 12 month period.

Consumer Guarantee

Our goods come with a guarantee that cannot be excluded under the Australian Consumer Law. You are entitled to a replacement or refund for a major failure and compensation for any other reasonably foreseeable loss or damage. You are also entitled to have the goods repaired or replaced if the goods fail to be of acceptable quality and the failure does not amount to a major failure.



All images and illustrations shown are for reference purposes only. All information, specifications and illustrations in this manual are based on the latest information available at the time of publication and are subject to change without notice. The information in this manual is periodically revised to ensure the latest information is included. Download the latest version of this manual and other related technical documentation from www.tqbbrands.com.au