

Owners Manual

Product Code: 2004T

**MADE FOR THE
TRADE**

TQ TRADEQUIP
the trusted brand in equipment

**22,000KG
GARAGE JACK**



Specifications

- Safe Working Capacity: 22,000kg
- Maximum Height: 552 mm
- Minimum Height: 225mm
- Ram Travel: 124mm
- Screw Adjustment: 103mm
- Operating Air Pressure: 110-125psi
- Nett Weight: 45kg
- Carton: 675 x 345 x 250mm
- Gross Weight: 47kg

About the **TradeQuip** brand

The '**TradeQuip**' brand of workshop equipment, is designed for use in a demanding workshop environment by professional users. With proven and trusted "Made for the Trade" reliability, '**TradeQuip**' branded products offer the very best in performance for an affordable price. All backed by a 1year trade guarantee across 1,000+ distributors Australia wide.

TQ TRADEQUIP
the trusted brand in equipment

TQPRO
Trusted by serious professionals

BORUM
INDUSTRIAL WORKSHOP EQUIPMENT

WARNING

IMPORTANT: READ ALL INSTRUCTIONS BEFORE USE



WARNING

The instructions and warnings contained in this manual should be read and understood before using or operating this equipment. Do not allow anyone to use or operate this equipment until they have read this manual and have developed a thorough understanding of how this equipment works. Failure to observe any of the instructions contained in the manual could result in severe personal injury to the user or bystanders, or cause damage to the equipment and property. Keep this manual in a convenient and safe place for future reference.

Whilst every effort has been made to ensure accuracy of information contained in this manual, the TQB Brands Pty Ltd policy of continuous improvement determines the right to make modifications without prior warning.

CONTENT

WARNING 2

CONTENT 2

STANDARD OPERATING PROCEDURE 3

ASSEMBLY, OPERATION, PREVENTITIVE MAINTENANCE..... 4

TROUBLESHOOTING 5

PARTS LIST 6

PARTS LIST DIAGRAM 6

PUMP PARTS LIST DIAGRAM 7

PUMP PARTS LIST DIAGRAM 8

PRODUCT INFORMATION TIPS..... 9

WARRANTY 10

Intended Use

For professional medium duty use on truck, agriculture, construction, mining, automotive, and marine applications where lifting and lowering is required.

STANDARD OPERATING PROCEDURE

DO NOT use this machine unless you have been trained and assessed to a competent level in its safe use and operation, and have been given permission to use this



Safety glasses must be worn when operating this equipment



Long loose hair must be contained when operating this equipment



Safety footwear must be worn when operating this equipment



Close fitting/protective clothing must be worn when operating this equipment



Rings and jewellery must not be worn when operating this equipment

PRE-OPERATIONAL SAFETY CHECKS

1. Support load by appropriate means after lifting
2. Do not exceed rated capacity
3. Centre load on the jack
4. Only use attachments and/or adapters supplied with or sold specifically for the jack
5. Only lift areas of the vehicle designated by the vehicle manufacturer.
6. Use as lifting device only
7. Use only on hard, level surface
8. Do not modify jack

OPERATIONAL SAFETY CHECKS

1. This jack should be used for lifting and lowering only. The raised load should be supported on approved support stands. No person should get any part of the body under a load that is supported by this jack.
2. Position the jack to only lift on the areas of the load specified by the manufacturer.
3. Use support stands – after lifting the load always support the load with appropriately rated support stands before working on the load.
4. Do not overload this jack beyond its rated capacity. Overloading this jack beyond its rated capacity can cause damage to or failure of the jack.
5. Use only on hard level surfaces capable of sustaining the load. Use on other than hard level surfaces can result in jack instability and possible loss of load.
6. Centre load on jack saddle before lifting vehicle.
7. Off centre loads and loads lifted when the jack is not level can cause loss of load or damage to the jack.
8. Keep hands & feet clear of the jack hinge mechanism & ground contact area when lowering the load.
9. NEVER LIFT THE LOAD OFF AIRBAG BRACKETS. ALWAYS LIFT OFF AN AXLE OR CHASSIS LIFT POINT
10. Use a qualified person to maintain the jack in good condition. Keep it clean for best and safest performance.

THIS JACK IS A LIFTING DEVICE ONLY & IS DESIGNED FOR LIFTING PART OF THE TOTAL VEHICLE/LOAD. DO NOT MOVE OR DOLLY THE VEHICLE/LOAD WHILST THE VEHICLE/LOAD IS ON THE JACK.

ASSEMBLY, OPERATION, PREVENTITIVE MAINTENANCE

1. FEATURES

This TradeQuip "Made for the Trade" pneumatic heavy-duty 22,000kg Air Actuated Hydraulic Garage Jack has a powerful air motor to lift heavy loads. The efficient quick lift system is designed to ensure the lifting ram comes in contact with the load faster. The compact design easily fits between dual tandem axles. Ideal for lifting axles, farm vehicles, heavy-duty machinery, industrial equipment and more. This TradeQuip Air/Hydraulic Truck Jack utilises compressed air to activate a booster cylinder, to move hydraulic oil within the cylinder up & down. It adopts an industrial hydraulic design combination of compressed air and hydraulic pressure, to create, strong jacking capacity and low lifting clearance in one jack. The two wheel floor support design lets you really get under your loads with a 255mm minimum height. Designed to lift buses and other large, low-clearance vehicles with maximum stability. Includes height adaptors.

2. ASSEMBLY

Assembly of Handle: After removing from the packing material, make sure the product is in perfect condition and that there are no visible damaged parts. Dispose of the packaging material responsibly.

1. Remove jack handle
2. Mount the handle in the upright position.
3. Attach nuts and bolts.
4. Connect the air supply hose to the jack, push in the hose as far as it will go in order to engage the coupler, pull on the hose once instead to ensure a secure fitting.

3. BEFORE USE

Prior to each use conduct a visual inspection checking for abnormal conditions, such as cracked welds, leaks, and damaged, loose, or missing parts.

- Consult the vehicle owner's manual to determine the location of lift points.
- Be sure to set the vehicle in park with the emergency brake on and wheels securely chocked.
- Be sure that the vehicle and the Garage Jack are on a hard, level surface.

4. OPERATION

Lifting

1. Attach air supply hose to fitting in handle control valve. (110 -125 PSI / 14 cfm).
2. Position the jack in accordance with the vehicle manufacturer's instructions. Centre load on saddle.
3. Rotate control valve clockwise and hold to raise the piston, release control valve when desired height is reached.
4. **WARNING:** During lifting ensure load and jack remain stable, if either appear to be unstable, stop lifting load and reposition jack.
5. **IMMEDIATELY** after reaching desired height, secure load with appropriately rated safety stands (refer to vehicle manufacturer's recommended positioning)

Lowering

1. Ensure air supply line is connected and air compressor is turned on, raise the load enough to remove safety stands.
2. **WARNING:** Ensure load does not shift or become unstable when lifting. If load is unstable, slowly lower load back on to the safety stands. Correct instability and try again.
3. Carefully remove the safety stands.
4. Turn the control valve counter clockwise just enough to allow controlled descent. Lower load slowly.
5. Once fully lowered, release control and remove jack.
5. **CAUTION**
6. Heavier loads will lower very quickly, use extra caution when turning the release valve to lower the load.

7. INSPECTION

Prior to each use conduct a visual inspection checking for abnormal conditions, such as cracked welds, leaks, and damaged, loose, or missing parts.

- This Garage Jack shall be maintained in accordance with the maintenance instructions. No alterations or modifications shall be made to this jack.
- Inspections shall be performed in accordance with this owner's manual.
- This Garage Jack must be inspected immediately if it is believed to have been subjected to abnormal load or shock.
- Owners and /or operators should be aware that repair of this product may require specialised equipment and knowledge (refer to maintenance section).

8. STORAGE

This Garage Jack should always be stored in a dry location on a level surface with the lift ram pistons in the fully retracted position, where it will not be exposed to corrosive vapours, abrasive dust, or any other harmful elements.

9. MAINTENANCE

Monthly maintenance is recommended. Lubrication is critical to jacks as they support heavy loads. Any restriction due to dirt, rust, etc, can cause either slow movement or cause extremely rapid jerks damaging the internal components. The following steps are designed to keep the jack well maintained and operational.

Important: Dirt is the greatest single cause of failure in hydraulic units. Keep the jack clean and well lubricated to prevent foreign matter from entering the system. If the jack has been exposed to rain, snow, sand, or grit it must be cleaned before it is stored or used.

- Only use replacement parts that are approved by the manufacturer. Disconnect the air supply before performing any maintenance operation.
- Lubricate the ram, linkages, saddle, wheels and pump mechanism with light oil.
- Visually inspect for cracked welds, bent, loose, missing parts or hydraulic oil leaks.
- Any hydraulic jack found to be damaged, worn or operates abnormally must be removed from service until repaired by an authorised service representative.
- Regularly clean all surfaces and maintain all labels and warnings.
- Check and maintain the hydraulic ram oil level.
- Check the ram every three months for any sign of rust or corrosion. Clean as needed and wipe with an oily cloth. When not in use always leave the saddle and ram all the way down.
- Always store your jack in the fully retracted position. This will help protect critical areas from corrosion. Do not use brake or transmission fluids or regular motor oil as they can damage the seals.

ONLY USE HIGH QUALITY HYDRAULIC FLUID – ISO68

10. SERVICE & REPAIR

Any Garage Jack found damaged in any way, or found to be worn or operates abnormally it should be removed from service until repaired by an authorised service agent. Owners and / or operators should be aware that repair of this product may require specialised equipment and knowledge. Only authorised parts, labels, decals shall be used on this equipment. Annual inspection of the garage jack is recommended and can be made by an authorised repair facility to ensure that your equipment is in optimum condition and that the equipment has the correct decals and safety labels specified by the manufacturer.

TROUBLESHOOTING

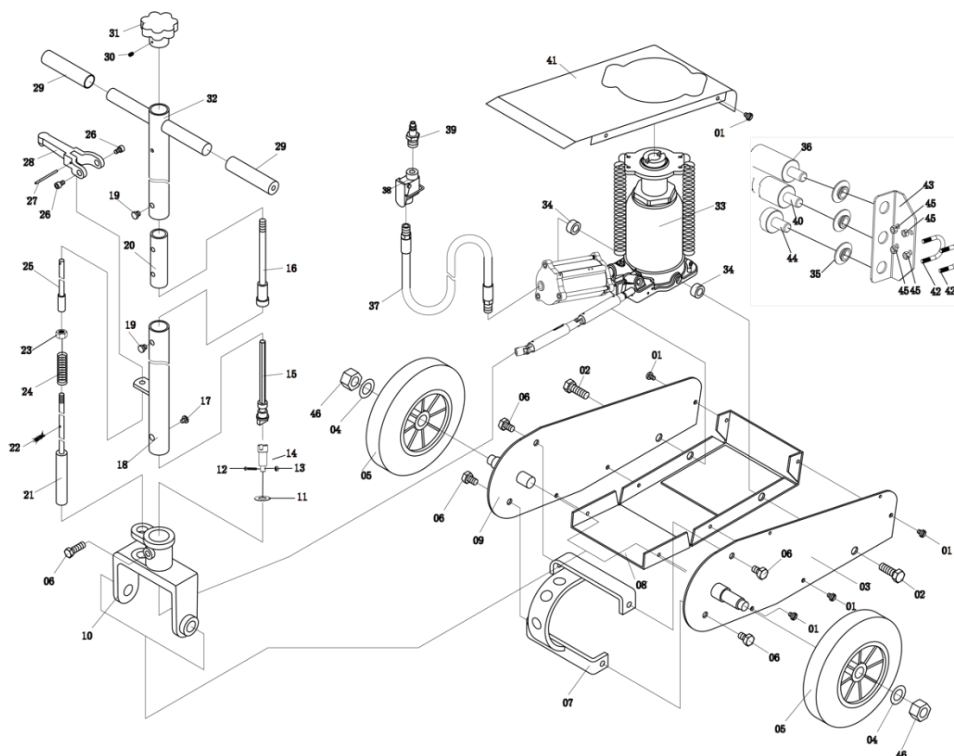
PROBLEM	POSSIBLE CAUSE	ACTION
Jack will not lift	<ul style="list-style-type: none"> • Release valve in wrong position • Low/no oil in reservoir • Air-locked system • Load is above capacity of jack • Delivery valve and/or bypass valve not working correctly • Seals worn out or defective 	<ul style="list-style-type: none"> • Move release valve to UP position • Fill with oil and bleed system • Bleed system • Use correct equipment • Clean to remove dirt or foreign matter. Replace oil • Install appropriate seal kit
Jack lifts only partially	<ul style="list-style-type: none"> • Too much or not enough oil 	<ul style="list-style-type: none"> • Check oil level
Jack advances slowly	<ul style="list-style-type: none"> • Pump not working correctly • Leaking seals 	<ul style="list-style-type: none"> • Install seal kit, or replace power unit • Install seal kit
Jack lifts load, but doesn't hold	<ul style="list-style-type: none"> • Cylinder packing is leaking • Valve not working correctly (suction, delivery, release or bypass). • Air-locked system 	<ul style="list-style-type: none"> • Install seal kit • Inspect valves. Clean and repair seat surfaces • Bleed system as per instructions
Jack leaks oil	<ul style="list-style-type: none"> • Worn or damaged seals 	<ul style="list-style-type: none"> • Install seal kit
Jack will not retract	<ul style="list-style-type: none"> • Release valve control in wrong position 	<ul style="list-style-type: none"> • Move Release valve to DOWN position
Jack retracts slowly	<ul style="list-style-type: none"> • Cylinder damaged internally 	<ul style="list-style-type: none"> • Send jack to authorised service centre

PARTS LIST

Part #	Description	QTY
1	Screw	10
2	Bolt	2
3	Right Frame	1
4	Retainer Ring	2
5	Wheel	2
6	Bolt	5
7	Location For Handle	1
8	Base	1
9	Left Plate	1
10	Handle Seat	1
11	Washer	1
12	Screw	1
13	Nut	1
14	Connector	1
15	Link Rod	1
16	Link Rod	1
17	Screw	1
18	Lower Handle	1
19	Screw	2
20	Roller	1
21	Pin	1
22	R-Pin	1
23	Nut	5

Part #	Description	QTY
24	Spring	1
25	Rod	1
26	Screw	1
27	Pin	1
28	Control Handle	1
29	Handle Sleeve	2
30	Screw	1
31	Knob	1
32	Upper Handle	1
33	Pump	1
34	Washer	2
35	Rubber Case	3
36	Saddle3	1
37	Air Hose	1
38	Air Valve	1
39	Air Connector	1
40	Saddle2	1
41	Plate	1
42	U-Bolt	2
43	Saddle Shelf	1
44	Saddle1	1
45	Nut	4
46	Nut	2

PARTS LIST DIAGRAM

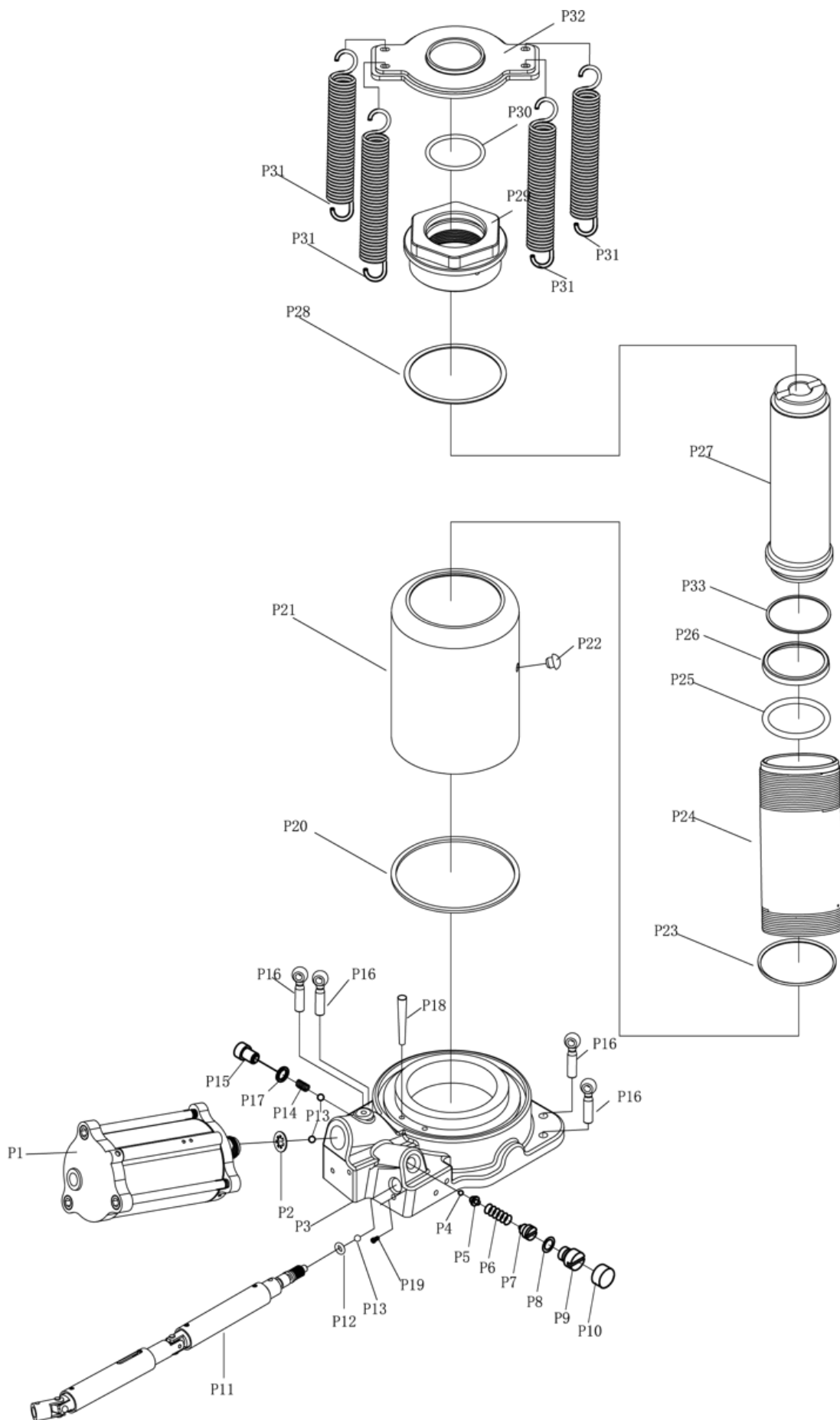


PUMP PARTS LIST DIAGRAM

Part #	Description	QTY
P1	Air Motor	1
P2	Copper Washer	1
P3	Base	1
P4	Steel Ball	1
P5	Steel Ball Seat	1
P6	Spring	1
P7	Screw	1
P8	O-Ring	1
P9	Screw	1
P10	Cap	1
P11	Release Valve	1
P12	O-Rinjd	1
P13	Steel Ball	3
P14	Spring	1
P15	Screw	1
P16	Bolt	4
P17	Copper Washer	1

Part #	Description	QTY
P18	Filter	1
P19	Screw	1
P20	Seal Ring	1
P21	Reservoir	1
P22	Filler Plug	1
P23	Seal Ring	1
P24	Ram	1
P25	O-Ring	1
P26	Seal Ring	1
P27	Piston Rod	1
P28	Seal Ring	1
P29	Cap Nut	1
P30	O-Ring	1
P31	Spring	4
P32	Hook	1
P33	Nylon Washer	1

PUMP PARTS LIST DIAGRAM



PRODUCT INFORMATION TIPS

PRODUCT INFORMATION

How to extend the life of your Air Actuated Truck Jack

8 Top Tips

to extend the life of your **TQB BRANDS TradeQuip & Borum** Air Actuated Truck Jack

Models 2004T, B2003T, BTJ35TA, BTJ50TA.

1 Ensure Hydraulic oil is at correct levels.

Follow individual model owner's manual instructions for maintenance in your owner's manual provided and also available on our webpage at www.tqbbrands.com.au



Remove Filler Bung and if required, refill with SAE 32 grade Hydraulic Oil until the oil is lapping the bottom of the filler hole.

2 Regularly lubricate the Air motor.

Lubrication of the Air motor is essential for smooth operation while raising a vehicle.



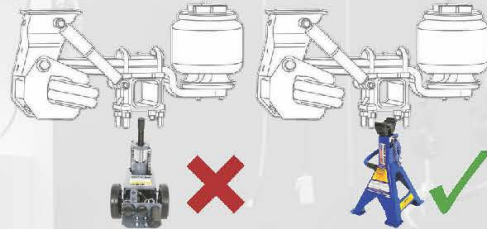
3 Always store in the fully lowered position.



Storage in the fully lowered position ensures the lift ram assembly and pump piston is sealed from exposure to weather fluctuations and keeps the hydraulic ram and pump seals in a relaxed condition ready to work when required.

4 Never use the Truck Jack for supporting loads.

To ensure long life of the hydraulic lift ram seals, a load must not be supported above the fully lowered position. Once a vehicle is raised it must be supported with a load appropriate vehicle stand with the jack lowered and not supporting load.



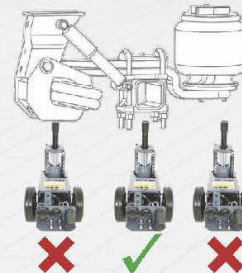
5 Use the available screw extension or solid extension inserts where applicable.

Single piston telescopic jacks have their greatest stability from the fully lowered height to 85% of total extended height. Where the lowered height of the jack is lower than the load points height from the ground the extension screws and/or solid extension inserts should always be used to close the clearance between jack and load point. This also greatly reduces the potential of lateral force.



6 Off centre loading or unbalanced loads can affect the smooth lowering & raising operation.

Always consult your vehicle manufacturer specifications for the correct lift point. Never lift from a suspension pivot or air bag mount plate where these items are designed to travel in an arc causing excess lateral force to the jack throughout its lift cycle.



7 Hazards and Obstructions.

All wheeled TQB Brands equipment must be used on smooth surface free of cracks, crevices and tripping hazards that can foul the wheels during operation or relocation.

8 Read the user Manual thoroughly and keep a copy easily accessible or visit our webpage www.tqbbrands.com.au for instructional documents & pre-start videos.



WARRANTY

TradeQuip products have been carefully tested and inspected before shipment and are guaranteed to be free from defective materials and workmanship for a period of 12 months from the date of purchase except where tools are hired out when the guarantee period is ninety days from the date of purchase.

Should this piece of equipment develop any fault, please return the complete tool to your nearest authorised warranty repair agent or contact TQB Brands Pty Ltd Warranty team – warranty@tqbbrands.com.au.

If upon inspection it is found that the fault occurring is due to defective materials or workmanship, repairs will be carried out free of charge. This guarantee does not apply to normal wear and tear, nor does it cover any damage caused by misuse, careless or unsafe handling, alterations, accident, or repairs attempted or made by any personnel other than the authorised TQB Brands Pty Ltd repair agent.

This guarantee applies in lieu of any other guarantee expressed or implied and variations of its terms are not authorised.

Your TQB Brands Pty Ltd guarantee is not effective unless you can produce upon request a dated receipt or invoice to verify your proof of purchase within the 12 month period.

Consumer Guarantee

Our goods come with a guarantee that cannot be excluded under the Australian Consumer Law. You are entitled to a replacement or refund for a major failure and compensation for any other reasonably foreseeable loss or damage. You are also entitled to have the goods repaired or replaced if the goods fail to be of acceptable quality and the failure does not amount to a major failure.



All images and illustrations shown are for reference purposes only. All information, specifications and illustrations in this manual are based on the latest information available at the time of publication and are subject to change without notice. The information in this manual is periodically revised to ensure the latest information is included. Download the latest version of this manual and other related technical documentation from www.tqbbrands.com.au.