

Owners Manual

Product Code: 3033T

**MADE FOR THE
TRADE**

TQ TRADEQUIP
the trusted brand in equipment

**MOBILE
BLASTING UNIT**



Specifications

- Tank Capacity: 105 Litre
- Working Pressure: 15CFM @ 80psi
- Air Delivery: Minimum of 640L/min@115 PSI
- Ceramic Nozzle Tips size: 7mm
- Volt: 240
- Plug: 10AMP
- Air hose: 170(D) x 9I(D) x 2700mm
- Sand hose: 180(D) x 12I(D) x 3100mm
- Vacuum hose: 480(D) x 42I(D) x 2600mm
- Wheel Diameter: Castor 4" / Fixed wheel: 6"
- Weight: 30kg

About the TradeEquip brand

The 'TradeEquip' brand of workshop equipment, is designed for use in a demanding workshop environment by professional users. With proven and trusted "**Made for the Trade**" reliability, 'TradeEquip' branded products offer the very best in performance for an affordable price. All backed by a 1year trade guarantee across 1,000+ distributors Australia wide.

WARNING INFORMATION

IMPORTANT: READ ALL INSTRUCTIONS BEFORE USE



WARNING

The instructions and warnings contained in this manual should be read and understood before using or operating this equipment. Do not allow anyone to use or operate this equipment until they have read this manual and have developed a thorough understanding of how this equipment works. Failure to observe any of the instructions contained in the manual could result in severe personal injury to the user or bystanders, or cause damage to the equipment and property. Keep this manual in a convenient and safe place for future reference.

Whilst every effort has been made to ensure accuracy of information contained in this manual, the TradeQuip policy of continuous improvement determines the right to make modifications without prior warning.

CONTENT

WARNING INFORMATION 2

CONTENT 2

STANDARD OPERATING PROCEDURE 3

ASSEMBLY, OPERATION & PREVENTATIVE MAINTENANCE 4

PRODUCT INFORMATION TIPS..... 6

TROUBLESHOOTING 7

PARTS DIAGRAM 8

WARRANTY 9

STANDARD OPERATING PROCEDURE

DO NOT use this machine unless you have been trained and assessed to a competent level in its safe use and operation, and have been given permission to use this



Safety glasses must be worn when operating this equipment



Safety footwear must be worn when operating this equipment



Rings and jewellery must not be worn when operating this equipment



Long loose hair must be contained when operating this equipment



Close fitting/protective clothing must be worn when operating this equipment



Wear a filter or mask over your mouth when operating this unit

PRE-OPERATIONAL SAFETY CHECKS

- Mobile Blasting Equipment produces a powerful flow of abrasive particles. To avoid personal injury and property damage, study this manual thoroughly before assembling, operating, or servicing this mobile blasting unit.
- Know your machine. Read this manual carefully. Learn the machine's applications and limitations, as well as specific potential hazards peculiar to it.
- Ground all machines. If the machine is equipped with three-pin plug, it should be plugged into a three-pin electrical socket. Never remove the ground pin.
- Avoid body contact with grounded surfaces such as pipes, radiators, ranges, and refrigerators. There is an increased risk of electric shock if your body is grounded.
- Do not expose tool to moisture. Don't use this machinery in damp or wet locations. Keep out of rain.
- Do not abuse cord. Never use the cord to carry tools or pull the plug from an outlet. Keep cord away from heat, sharp edges or moving parts. Replace damaged cords immediately. Damaged cords increase the risk of electric shock.
- Remove adjusting keys or wrenches before turning the tool on. A wrench or key that is left attached to a moving part of the tool may result in personal injury.
- Keep work area clean and well lit. Cluttered or dark work areas invite accidents.
- Keep children away. All children should be kept away from the work area. Never let a child handle a tool without strict adult supervision.
- Do not operate this tool if under the influence of alcohol or drugs. Read warning labels on descriptions to determine if your judgment or reflexes are impaired while taking drugs. If there is any doubt, do not attempt to operate.
- Do not overreach. Always keep proper footing and balance when operating this product.
- Always disconnect the machine before making any adjustments, storing, servicing, or changing accessories. Such preventative safety measures reduce the risk of starting the tool accidentally.
- Use clamps or other practical means to secure and support the work piece to a stable platform. Holding the work by hand or against your body may lead to a loss of control.
- Do not force tool. Use the correct tool for your application. The correct tool will do the job better and safer at the rate for which it was designed.
- Do not use the tool if the switch does not turn it on and off. Any tool that cannot be controlled with the switch is dangerous and must be repaired.
- Check for damage. Check your tool regularly. If part of the tool is damaged it should be carefully inspected to make sure that it can perform its intended function correctly. If in doubt, the part should be repaired. Refer all servicing to a qualified technician. Consult your dealer for advice.
- Keep away from flammables. Do not attempt to operate this tool near flammable materials or combustibles. Failure to comply may cause serious injury or death.
- Store idle tools out of the reach of children and untrained persons. Tools may be dangerous in the hands of untrained users.
- During operation, do not expose the hands or skin directly in the line of the blast nozzle.
- Always wear personal protective gear (hood, respirator, earmuffs and gloves).
- Fire or Explosion Hazard! DO NOT USE an abrasive media blaster around combustible or flammable liquids, dusts, gases, oily rags, or other materials that can explode or burn quickly. Some abrasives create sparks when they hit a metallic surface and/or generate static electricity sparks which may cause fires or explosions in an unsafe environment.

INTENDED USE

Blasting work using recommended abrasive media and/or glass beads to clean and abrade a surface, typically metal, of any rust, paint or other unwanted surface materials.

ASSEMBLY, OPERATION & PREVENTATIVE MAINTENANCE

1. FEATURES

The **TradeQuip "Made for the Trade"** Mobile Abrasive Blasting Kit with Vacuum is perfect for a wide variety of surface preparation jobs such as removing paint, scale, rust and oxidation. Ideal for surface preparation on cars, trucks, machinery, steel, glass etching and much more. Features a 2.4m heavy-duty blast hose designed for long life and manoeuvrability. The Vacuum feature reduces dust and debris around your workshop. Durable wheels and built-in handle allow for easy transport. Simply add abrasive and hook up to an air and power supply and you're ready to blast. Some assembly required. Note: TradeQuip Walnut Shells cannot be used in this mobile blasting unit."

2. ASSEMBLY

Unpacking: after removing the packing material, make sure the product is in perfect condition and that there are no visible damaged parts.

The packaging materials (Polyethylene bags, polystyrene etc.), must be disposed of responsibly in an appropriate refuse collection container. These materials must not be left within the reach of children as they are potential sources of danger.

Contents:

Instruction Manual, Brush Head Assemblies, Wheels, Castors, Hardwar Bag, Wheel Axle, Handle.

1. Lay carton on its side to take the unit out.
2. Remove all packing materials from abrasive blaster. Release the two snap locks on the vacuum assembly and remove the vacuum head to take the Vacuum Hose and Abrasive Hose out.
3. Install the castors and the wheels on the frame base. Install the handle on the tank.
4. Fill 9 – 16kgs. of abrasive into the bottom container.
5. Reattach the vacuum head to the tank, making certain both snap locks are securely locked down.
6. Insert the end of Vacuum Hose with Coupler into the tank and screw the other end without coupler in the coupler on the brush head assembly. Install one end of the Abrasive Hose with a hose clamp on the end of the male air connector. Install the other end of Abrasive Hose with a hose clamp on the abrasive outlet manifold.

Note: Ideal operating air pressure is 115 psi. DO NOT exceed 140 psi.

You are now ready to begin work with your Abrasive Blast/Vacuum.

3. BEFORE USE

Conduct a thorough visual inspection checking for leaks and any abnormal conditions, such as cracked welds, leaks, and damaged, loose, or missing parts.

4. OPERATION

1. If protective head gear and respiration is not already in place, put it on now.
2. Set air compressor to 115 psi. (More or less, depending on the surface to be cleaned.)
3. Connect air hose coupling to air coupling connector located on gun handle.
4. Connect power cord to power source.
5. With gun pointed at surface to be cleaned, turn the power switch on the vacuum head to the ON position.
6. Have one hand holding the gun while the other hand holds the brush handle. Note: Do not apply pressure with the brush against the surface being cleaned! The brush function is only intended to prevent abrasive waste and to develop and maintain a closed vacuum cycle for the abrasive to be recycled. The brush is NOT intended to assist in the abrasion process.
7. Move both hands in the direction where rust removal or pre-finish work is required.
8. By lengthening or shortening the nozzle with the set nut, you will vary the size of the blast stream.
9. The bristle brush is for flat surfaces and for angles and corners. Before starting, spread out the bristles in such a way that it does not cover the jet spray inside the brush. (The abrasives will eventually wear out the bristles). On car door edges, we recommend that you wrap the bristles around the edge, which will generate better vacuum, better coverage, safety, and results.
10. After each job, lift off vacuum head and knock dust from the filter.
11. After 1 hour of continuous blasting, lift out the vacuum head and blow off dust with direct air or vacuum.
12. When blasting a 90-degree corner, align the gun at a 45-degree angle to reach the deepest area. Move the gun in a slow, circular motion for best results.

Health Considerations:

1. Protect yourself and those around you from 'overspray'. Remember that your mobile blaster is shooting powerful spray of abrasive material
2. Do not point it at yourself or anyone around you
3. Always wear personal protective equipment
4. Wear a filter or mask over your mouth when operating this unit. You will create a cloud of abrasive material and debris which is dangerous to inhale
5. Remove, cover, and/or protect anything around you that might be damaged from direct or indirect contact with the abrasive spray or particles.

5. STORAGE

This mobile blasting unit should always be stored in a dry indoor location on a level surface.

6. MAINTENANCE

Check for worn abrasive hose and fittings. The abrasive control valve, manifold and all parts after the abrasive is ejected from the tank are subject to rapid wear due to the flow of abrasive media. Check for leaks, blistering, bulging or thinness of the hose. Replace all parts which appear worn immediately.

7. SERVICE & REPAIR

Any mobile blasting unit found damaged in any way, or found to be worn or operates abnormally should be removed from service until repaired by an authorised service agent. Owners and / or operators should be aware that repair of this product may require specialised equipment and knowledge. Only authorised parts, labels, decals shall be used on this equipment. Annual inspection of the mobile blasting unit is recommended and can be made by an authorised repair facility to ensure that your equipment is in optimum condition and that the equipment has the correct decals and safety labels specified by the manufacturer.

PRODUCT INFORMATION

How to extend the life of your Mobile Blasting Kit

13 Top Tips

to extend the life of your TradeQuip Model 3033T Mobile Blasting Kit

1 Electrical Safety

Prior to any setting up or maintenance make sure the unit is switched off and unplugged from the mains electricity supply socket.



2 Personal Safety

Media blasting generates fine dust and high velocity particles which can be harmful to your health. Correct PPE should always be worn whilst operating any Mobile Blasting Kit.



3 Adequate Air pressure and Volume are two of the most important factors in a properly working TradeQuip Mobile Blasting Kits.

The Compressor Air Supply Working Volume and Pressure Requirement for this model is 15CFM (600LPM) @ 80 psi (550kPa) to 115psi (790kPa) based on 7mm Nozzle. We recommend you install a separate separator/regulator and start at 70 psi and gradually increase pressure, testing the blast quality until the results are satisfactory.



Your TradeQuip 3033T Mobile Blasting Kit can be used with or without the Vacuum Feature.

4 Gun Angle and Distance for use without Vacuum



With Vacuum collector turned off, Direct the gun at parts at a 45-60-degree angle with ricochet away from the operator while holding the gun approximately 150mm from parts. Do not hold the gun at a 90-degree angle to parts. This will cause the media blast to bounce back into the blast stream and slow the blasting action. A 90-degree angle will cause excessive wear on the gun and potential damage to item to be cleaned.

5 Gun Angle and Distance for use with Vacuum



With the vacuum dust extractor turned on, hold the brush end of the Media Gun at 90 degrees and firmly against the object to be cleaned, depress the trigger move from left to right keeping notice of the blasted surface's degree of cleanliness. Slow movement will provide a cleaner surface so gauge your requirement and vary movement to suit.

6 Nozzle Size

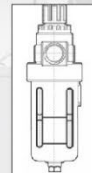
The TradeQuip 3033T Mobile Blasting Kit comes with 7mm Nozzles. After 10-12 hours of blasting time, the nozzle should be checked. If it shows uneven wear turn a 1/4 turn every 10 hours of use.



Nozzle #3033T-55

7 Device Care

Replace any media hose that has soft spots or visible wear. Adjust the air regulator to provide adequate flow to ensure long hose life. Where possible avoid kinking of the media/air delivery hose to avoid hose sidewall damage.



Hoses should be regularly inspected for wear, keeping your air flow and pressure regulated will prolong the hoses life.



8 Media

Media should be of good quality and dry. Moisture will cause the media not to flow and will clog the gun and hopper. NEVER USE SAND. There are many types and sizes of media for different finishes. Choose the correct media for the specific job.



9 Media Delivery

Your TradeQuip 3033T Blaster has a media adjustment screw installed at the base of the media tank. The screw is set at the fully wound in position, once air flow is established and media flow is still inadequate wind the screw anti clockwise 1 full turn testing for results until the cleaning degree is satisfactory.



10 Caking of Media

Media caking is caused by moisture in the air supply or media storage in wet conditions. If this is not corrected media will not flow evenly and will clog up the media hose and gun. Check air supply and if water is present install a good moisture trap and always store media in a dry area away from exposure to high humidity or water ingress.

11 Hazards and Obstructions.

All wheeled TQB Brands equipment must be used on smooth surface free of cracks, crevices and tripping hazards that can foul the wheels during operation or relocation.

12 Long Term Storage

TQB Brands recommends all media should be emptied from the blast tank prior to long term storage of the appliance to minimise media caking or solidification.

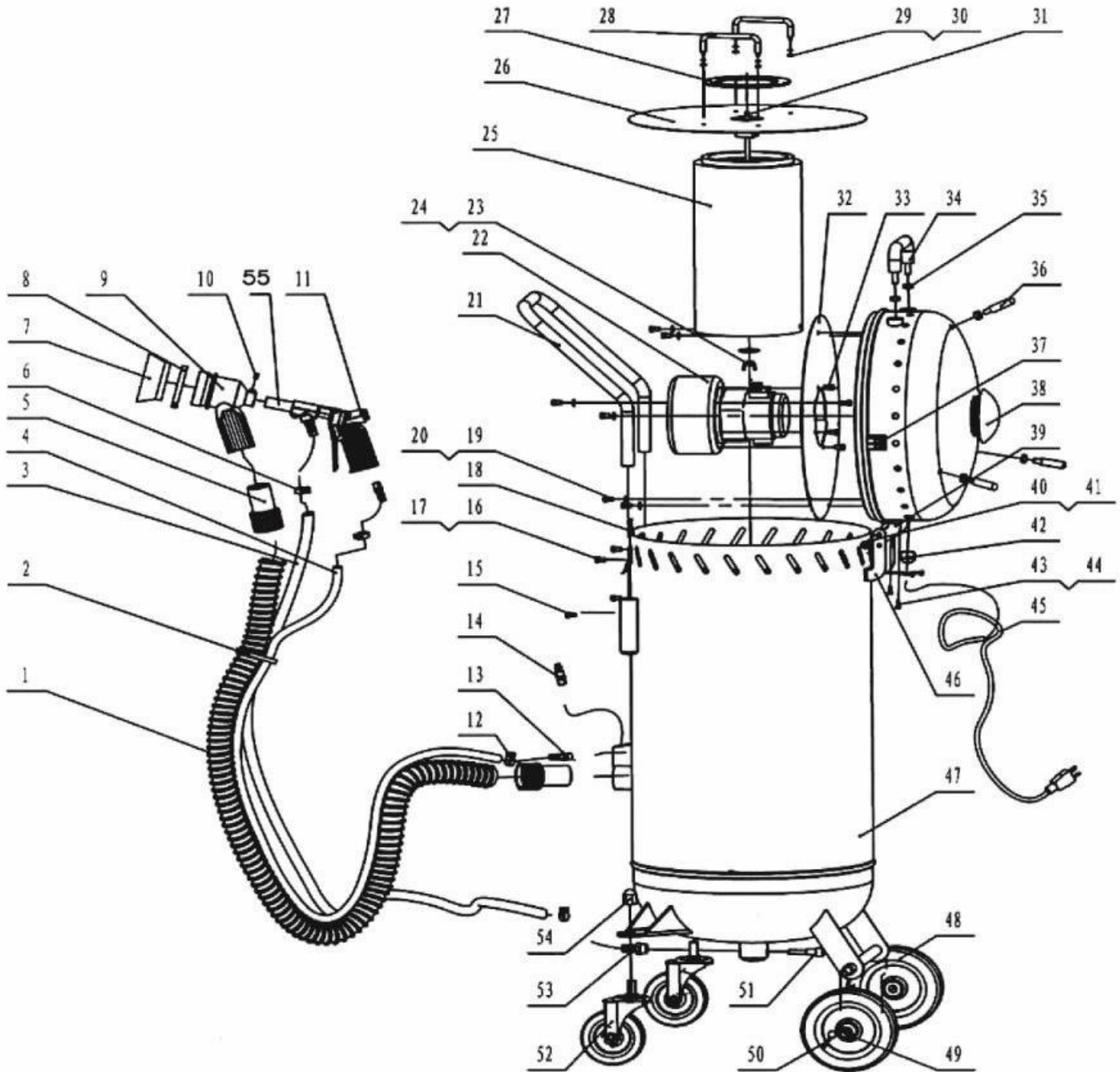
13 Read the user Manual thoroughly and keep a copy easily accessible.

Visit our webpage www.tqbbrands.com.au for instructional documents & pre-start videos.

TROUBLESHOOTING

PROBLEM	POSSIBLE CAUSE	ACTION
Decrease in blast performance	<ul style="list-style-type: none"> • Possible low air pressure • Moisture in the abrasive • Dirty filter • Abrasives are “worn” or too fine • Gun blockage 	<ul style="list-style-type: none"> • Check air compressor and hose for leaks • Verify CFM input is compatible with blaster/vacuum • Air must be clean and dry. Suggest cleaning filter thoroughly • Change abrasive • Disconnect air and power, unscrew nozzle and remove blockage with a paper clip or thin wire
Decrease in vacuum performance	<ul style="list-style-type: none"> • Dirty filter • Blocked or leaking vacuum line • Insufficient air flow 	<ul style="list-style-type: none"> • Clean filter thoroughly • Inspect all vacuum lines for blockage or damage, clean or replace as necessary • Check CFM input at airline connector point
Abrasive is coming out between the bristles of the brush	<ul style="list-style-type: none"> • Too much air pressure • Blockage in the vacuum system 	<ul style="list-style-type: none"> • Check air pressure and adjust accordingly • Inspect all vacuum lines for blockage or damage, clean or replace as necessary.

PARTS DIAGRAM



Part	Description	Part	Description	Part	Description	Part	Description
1	Vacuum hose	15	M10 bolt (15pc)	29	M4 nut	43	Screw
2	Wireclip	16	Bolt	30	Spring pad	44	M5 bolt
3	Abrasive hose	17	M4 bolt	31	Long bolt	45	Power cable
4	Air hose	18	Latch	32	Motor lift	46	Hinge
5	Coupler	19	M6 bolt (12pc)	33	Screw	47	Abrasive tank
6	Clamp	20	Spring ring	34	Handle	48	6" wheel
7	Brush head	21	Handle	35	M8 nut	49	Washer
8	Hoop	22	Vacuum motor	36	Cable Mount	50	Split pin
9	Blast head	23	Ring	37	Switch	51	Air adapter
10	M bolt	24	M6 nut	38	Cover	52	4" castor
11	Blast gun body	25	Filter	39	Rotational axle	53	Air connector
12	Clamp	26	Cover	40	Pin bolt	54	M12 nut
13	G 1/4" air inlet fitting	27	Rubber cad	41	M6 nut	55	Nozzles
14	Quick connector	28	Handle	42	Cable nut		

WARRANTY

TradeQuip products have been carefully tested and inspected before shipment and are guaranteed to be free from defective materials and workmanship for a period of 12 months from the date of purchase except where tools are hired out when the guarantee period is ninety days from the date of purchase.

Should the machine develop any fault, please return the complete tool to your nearest authorised warranty repair agent or contact TQB Brands Pty Ltd Warranty team – warranty@tqbbrands.com.au.

If upon inspection it is found that the fault occurring is due to defective materials or workmanship, repairs will be carried out free of charge. This guarantee does not apply to normal wear and tear, nor does it cover any damage caused by misuse, careless or unsafe handling, alterations, accident, or repairs attempted or made by any personnel other than the authorised TQB Brands Pty Ltd repair agent.

This guarantee applies in lieu of any other guarantee expressed or implied and variations of its terms are not authorised.

Your TQB Brands Pty Ltd guarantee is not effective unless you can produce upon request a dated receipt or invoice to verify your proof of purchase within the 12-month period.

Consumer Guarantee

Our goods come with a guarantee that cannot be excluded under the Australian Consumer Law. You are entitled to a replacement or refund for a major failure and compensation for any other reasonably foreseeable loss or damage. You are also entitled to have the goods repaired or replaced if the goods fail to be of acceptable quality and the failure does not amount to a major failure.



All images and illustrations shown are for reference purposes only. All information, specifications and illustrations in this manual are based on the latest information available at the time of publication and are subject to change without notice. The information in this manual is periodically revised to ensure the latest information is included. Download the latest version of this manual and other related technical documentation from www.tqbbrands.com.au.