

Owners Manual

Product Code: 6007T

**MADE FOR THE
TRADE**



SCISSOR LIFT WORKSHOP TROLLEY



Specifications:

- Safe Working Capacity: 500kg
- Maximum Height: 1575mm
- Minimum Height: 440mm
- Table Size: 1010(L) x 520(W)mm
- Wheel Diameter: 150mm
- Dimensions: 1130x520x1260mm
- Nett Weight: 144kg
- Carton: 1140 x 575 x 450mm
- Gross Weight: 157kg

About the TradeEquip brand

The 'TradeEquip' brand of workshop equipment, is designed for use in a demanding workshop environment by professional users. With proven and trusted "Made for the Trade" reliability, 'TradeEquip' branded products offer the very best in performance for an affordable price. All backed by a 1 year trade guarantee across 1,000+ distributors Australia wide.



WARNING

IMPORTANT: READ ALL INSTRUCTIONS BEFORE USE



WARNING

The instructions and warnings contained in this manual should be read and understood before using or operating this equipment. Do not allow anyone to use or operate this equipment until they have read this manual and have developed a thorough understanding of how this equipment works. Failure to observe any of the instructions contained in the manual could result in severe personal injury to the user or bystanders, or cause damage to the equipment and property. Keep this manual in a convenient and safe place for future reference.

Whilst every effort has been made to ensure accuracy of information contained in this manual, the TQB Brands Pty Ltd policy of continuous improvement determines the right to make modifications without prior warning.

CONTENT

WARNING 2

CONTENT 2

STANDARD OPERATING PROCEDURE 3

ASSEMBLY, OPERATION, PREVENTITIVE MAINTENANCE 4

PARTS LIST 6

WARRANTY 8

STANDARD OPERATING PROCEDURE

DO NOT use this machine unless you have been trained and assessed to a competent level in its safe use and operation, and have been given permission to use this



DO NOT tilt the unit



Wear the correct PPE

PRE-OPERATIONAL SAFETY CHECKS

Save these instructions. For your safety, read, understand, and follow the information provided with and on this hydraulic scissor lift trolley before use.

- This hydraulic scissor lift trolley should be used for lifting and lowering only.
- No person should get any part of the body under a load that is supported by this hydraulic scissor lift trolley.
- Do not overload this hydraulic scissor lift trolley beyond its rated capacity.
- Overloading this hydraulic scissor lift trolley beyond its rated capacity can cause damage to or failure of the hydraulic scissor lift trolley.
- Use only on hard level surfaces. Use on other than hard level surfaces can result in hydraulic scissor lift trolley instability and wheel damage.
- Do not allow people to sit or ride on the hydraulic scissor lift trolley.
- Do not transport heavy loads in the raised position.
- Keep hands & feet clear of the hydraulic scissor lift trolley hinge mechanism & ground contact area when lowering the load.
- Ensure castor brakes are engaged when loading and unloading.
- When servicing, use only Tradequip identical replacement parts. Use of any other parts will void the warranty.
- Use the right product for the job. There are certain applications for which the Hydraulic table lift was designed. Do not modify the hydraulic scissor lift trolley and do not use the hydraulic scissor lift trolley for a purpose for which it was not intended.
- Failure to comply with the above warnings may result in personal injury and/or property damage.

INTENDED USE

For lifting both heavy and light work pieces and workloads. Scissor Lift tables raise, position, and transport workloads and workpieces to minimise risk of injury.

ASSEMBLY, OPERATION, PREVENTITIVE MAINTENANCE

1. FEATURES

This **Tradequip** Hydraulic Scissor Lift Table / Trolley is widely used as a scissor lift table to transport parts and materials around the workshop. This scissor lift trolley can be manually pumped to the required height through its hydraulic foot pump mechanism. The foot pump raises and lowers the platform using a single scissor lift and hydraulic cylinder. In addition, the Tradequip 6007T can be used as a convenient mobile work bench so you can work at different heights to reduce the risk of injury.

2. ASSEMBLY

1. This Tradequip Hydraulic Scissor Lift Trolley has minimal assembly required.

3. BEFORE USE

Do not use if broken, bent, cracked or damaged parts are noted. Any Hydraulic Scissor Lift Table that appears damaged in any way, or operates abnormally shall be removed from service immediately.

Operation and Service Manual

- Before operating this scissor lift table, read this manual carefully and understand it completely.
- Keep this manual on file for future reference.
- If lost, please contact TQB Brands Pty Ltd or one of our national distributors for a replacement copy.
- If any WARNING/CAUTION decals are lost or become unreadable please contact TQB Brands Pty Ltd or one of our national distributors for a replacement.
- When read in this manual, WARNING means the danger which can lead to serious injury or even death. CAUTION means the danger which can lead to slight injury or property damage.

Daily Inspection

- CAUTION - DO NOT use the scissor lift table if any malfunction is found.
- Thoroughly inspect for scratches, bent parts or cracking.
- Check if there is any oil leakage from the cylinder.
- Check the vertical creep of the table.
- Check the smooth movement of the wheel.
- Check the brake function operates correctly.
- Check if all the bolt and nuts are tightened firmly
- Ensure your hands are clear from the release handle while lifting and lowering.

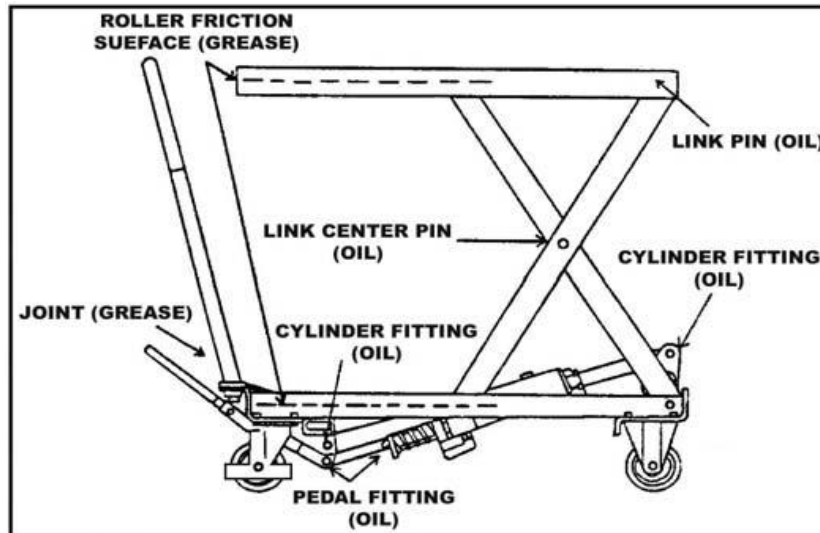
4. OPERATION

1. Verify that the product, load and application are compatible.
2. ALWAYS brake the lift table via the brake lever on the right side swivel castor.
3. Centre and secure the load on the table surface.
4. The hydraulic scissor lift table top is raised by pumping the foot lever.
Note: you may need to occasionally purge any air in the hydraulic system by pumping up and down 3-5 times with the release lever squeezed open to release air from the hydraulic pump.
5. To lower the hydraulic scissor lift tabletop, pull the release lever fully. This allows the table to lower in a slow, controllable manner.
6. CAUTION ALWAYS ensure castor wheel brakes are engaged prior to loading and unloading.

5. MAINTENANCE

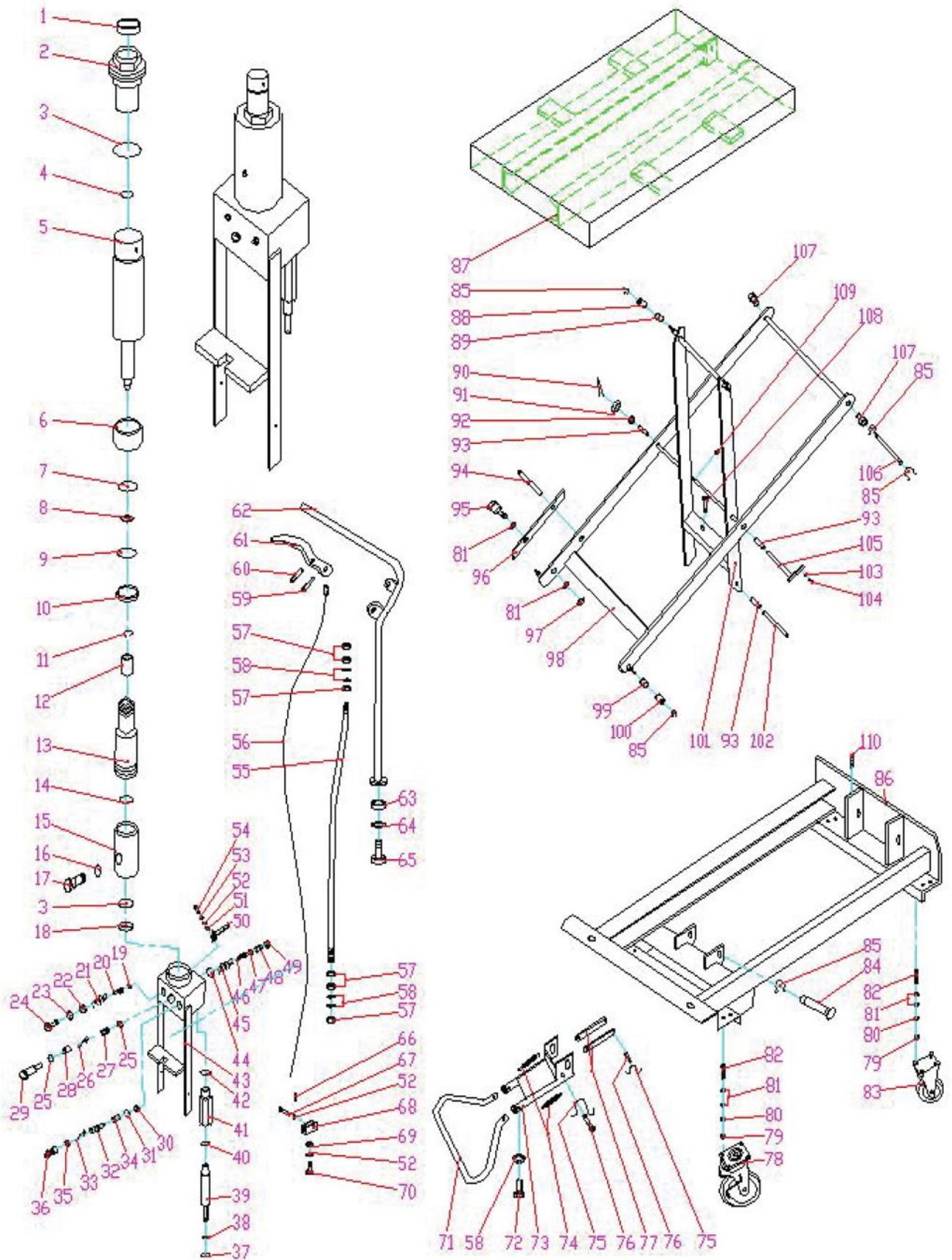
Inspect the product for damage, wear, broken or missing parts and that all components function before each use. Remove from service immediately if damaged in any

1. Periodically check the tightness of the mounting bolts.
2. Remove all dirt or corrosion with a clean cloth.
3. Check the movement and wear of wheels.
4. Inspect for hydraulic oil leakage and add oil as needed.
5. Lubricate the wheels to maintain smooth rolling.
6. Lubricate each friction point monthly with multi-purpose grease.



PARTS LIST

Part #	Description	QTY	Part #	Description	QTY
1.	Seal cover d30xD42x7	1	56.	Steel wire	1
2.	Cylinder cover	1	57.	Nut M8	24
3.	O-ring d63x2.65	2	58.	Washer 8	38
4.	O-ring d30x3.55	1	59.	Spring pin	1
5.	Piston Rod	1	60.	Spring pin	1
6.	Spacing casing	1	61.	Control link	1
7.	Guide ring δ1.5x15	1	62.	Handle	1
8.	O-ring D20x2.4	1	63.	Spacing casing	2
9.	Seal ring d34xD40x4.5	1	64.	Spring washer 12	2
10.	Retainer for piston rod	1	65.	Hex screw M12x40	2
11.	Spacing retainer 18	6	66.	Split pin 2x15	1
12.	Piston	1	67.	Pin	1
13.	Cylinder	1	68.	U- fork	1
14.	Washer for cylinder	1	69.	Nut M6	1
15.	Reservoir	1	70.	Bolt	1
16.	O-ring d10x2.65	1	71.	Pedal bent pipe	1
17.	Filler screw	1	72.	Hex screw M8x20	2
18.	Washer for reservoir	1	73.	Shake link	1
19.	Steel ball 5	1	74.	Spring	2
20.	Spring base	1	75.	Retainer 10	2
21.	Regulating pressure spring	1	76.	Pin axle	2
22.	Regulating pressure screw	1	77.	Link	2
23.	O-ring d7.1x1.8	1	78.	Wheel	2
24.	End cover	1	79.	Nut M10	16
25.	O-ring d15x2.65	2	80.	Spring washer 10	16
26.	Regulating speed spring	1	81.	Washer 10	36
27.	Regulating slide-valve	1	82.	Hex screw M10x25	16
28.	Regulating speed spring casing	1	83.	Wheel	2
29.	Regulating speed slide-casing	1	84.	axle	1
30.	Steel ball 7	1	85.	Retainer 20	4
31.	O-ring d6.9x1.8	1	86.	Chassis	1
32.	Conical valve	1	87.	Table	1
33.	Spring	1	88.	Roller for table	2
34.	Check valve casing	1	89.	Bushing	2
35.	O-ring d10x1.8	1	90.	Split pin 3.2x26	2
36.	Check valve screw	1	91.	Nut M16	1
37.	Seal cover d18xD25x4.5	1	92.	Washing	1
38.	O-ring d18x2.65	1	93.	Bushing	2
39.	Pump plunger	1	94.	Spring pin 8x40	2
40.	Y-ring	1	95.	Screw bolt M10x40	2
41.	Pump body for plunger	1	96.	Safety rod	2
42.	O-ring D28x3.1	1	97.	Nut M10	2
43.	Pump body	1	98.	External scissors lever	1
44.	O-ring d10.6x2.65	1	99.	Bushing	2
45.	Spring	1	100.	Roller for chassis	2
46.	Reflux rod	1	101.	Internal scissors lever	1
47.	O-ring d4x1.8	1	102.	Pin axle for chassis	1
48.	Guide casing	1	103.	Spring washer 8	2
49.	Protect casing	1	104.	Hex screw M8x16	2
50.	Lever	1	105.	Pin axle for scissors	1
51.	Lever bushing	1	106.	Pin axle for table	1
52.	Washer 6	2	107.	Bushing	2
53.	Spring washer 6	5	108.	Bolt M8x12	1
54.	Hex screw M6x16	1	109.	Oil cup	2
55.	Tube for steel wire	1	110.	Screw M6	1



WARRANTY

Tradequip products have been carefully tested and inspected before shipment and are guaranteed to be free from defective materials and workmanship for a period of 12 months from the date of purchase except where tools are hired out when the guarantee period is ninety days from the date of purchase.

Should this piece of equipment develop any fault, please return the complete tool to your nearest authorised warranty repair agent or contact TQB Brands Pty Ltd Warranty team – warranty@tqbbrands.com.au.

If upon inspection it is found that the fault occurring is due to defective materials or workmanship, repairs will be carried out free of charge. This guarantee does not apply to normal wear and tear, nor does it cover any damage caused by misuse, careless or unsafe handling, alterations, accident, or repairs attempted or made by any personnel other than the authorised TQB Brands Pty Ltd repair agent.

This guarantee applies in lieu of any other guarantee expressed or implied and variations of its terms are not authorised.

Your TQB Brands Pty Ltd guarantee is not effective unless you can produce upon request a dated receipt or invoice to verify your proof of purchase within the 12 month period.

Consumer Guarantee

Our goods come with a guarantee that cannot be excluded under the Australian Consumer Law. You are entitled to a replacement or refund for a major failure and compensation for any other reasonably foreseeable loss or damage. You are also entitled to have the goods repaired or replaced if the goods fail to be of acceptable quality and the failure does not amount to a major failure.



All images and illustrations shown are for reference purposes only. All information, specifications and illustrations in this manual are based on the latest information available at the time of publication and are subject to change without notice. The information in this manual is periodically revised to ensure the latest information is included. Download the latest version of this manual and other related technical documentation from www.tqbbrands.com.au.