

# TQB

TQB Brands Pty Ltd



# Blasting Equipment

## Blasting Cabinet 220Litre

Product Code: 3051

The TradeQuip "Made for the Trade" 220Litre Blasting Cabinet is manufactured using heavy gauge steel. It includes a stand, hopper and acrylic protective screen. It comes with an internal low voltage fluorescent light, tempered glass screen with replacement shields and grip textured gloves to ensure a secure grasp on all objects. A wide side door opening and large viewing window make this blast cabinet ideal for cleaning automotive parts. This heavy duty blast cabinet is constructed of 19 gauge steel and comes equipped with sand blasting gun and four ceramic nozzles. The 3051 is a medium size unit that is fitted with dust extraction outlet ready to fit a workshop vacuum hose for dust extraction where applicable.

**TQ TRADEQUIP**  
the trusted brand in equipment

**MADE FOR THE  
TRADE**

### Features

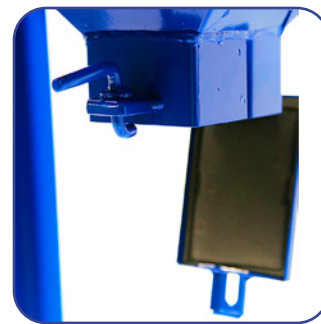
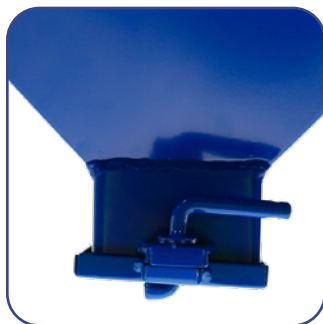
- Freestanding floor model
- Complete with gun and low voltage internal fluorescent light
- Tempered glass viewing window with protective shields
- Supplied with 4 ceramic nozzle tip sizes
- Cabinet fitted and ready to be used with a workshop vac as dust collection system
- Spare parts available in Australia

### Specifications

- Capacity: 220 Litre
- Ceramic Nozzle Tip Sizes: 4, 5, 6 and 7mm (1 of each)
- Maximum Media Capacity: 20kg
- Operating Air Pressure: 60 - 110psi
- Compressor Air Supply Requirement: 15-25CFM @ 80 psi (optimum delivery dependent on tip size)
- Tempered glass viewing window: 250 x 525mm
- Door opening: Rear 425(H) / Front 240(H) x 515(W) mm
- Cabinet dimensions: Rear 590(H) / Front 380 (H) x 860(L) x 550(W) mm
- Dimensions: 1400(H) x 890(L) x 550(W) mm
- Nett Weight: 43kg
- Carton: 950 x 620 x 610mm
- Gross Weight: 48kg
- Not for use with soda or walnut shell



**CONSUMABLES  
AVAILABLE**



### About the brand

Our Flagship brand of garage and workshop equipment, TradeQuip is designed for use in a demanding garage and workshop environment by trade users. With proven and trusted "Made for the Trade" reliability, TradeQuip branded products offer the very best in performance for an affordable price. The TradeQuip range is covered by a 12 month trade use warranty.

## Blasting Cabinet 420Litre

Product Code: 3036T

The TradeQuip "Made for the Trade" 3036T Blasting Cabinet features a large gaslift assisted front door for easy loading and unloading. It has excellent lighting and a very powerful vacuum system. The lower hopper stores the abrasive material for use and reuse and opens easily to allow easy removal of any media. Always ready to use when you are, the cabinet can be constantly connected to your air supply and is ready for immediate use when you step on the pedal.

The 3036T uses a foot pedal to control the flow of abrasives from the air nozzle. The foot pedal allows the operator to just "hold and point" the nozzle rather than the need to "pull a trigger" of other sandblast cabinets which can cause hand fatigue during prolonged use.

The 3036T incorporates a powerful vacuum dust extraction system that keeps the work area free of "floating" rust and used abrasive media particles. After the media particles "slams against" the surface to be cleaned, a portion of the bead is "destroyed" and becomes almost weightless. The vacuum system removes the "floating" rust particles and the "used up" media particle shells while the "good beads" fall into the hopper below the work surface.

Use this blasting cabinet to remove scale or heavy rust from automotive parts, clean up rusty tools, etch glass, or any other special application.

### Features

Perfect for surface preparation on any type of irregular surfaces where other forms of preparation such as sanding are difficult

Ideal for removing paint, rust, scale and oxidation on various irregular surfaces

Large viewing window gives the operator a wide viewing area

Oversized hinged top door opening allows the operator to easily load a wide variety of items into the blast cabinet

Large inside work area allows the operator to easily maneuver bulky items inside the cabinet

Hinged door on hopper allows for easy changing of the the abrasive

Heavy-duty 14 gauge steel legs provide strength and a stable footprint

Fluorescent light kit and 90CFM dust collector help the operator to maintain a good visual in heavy blasting operations

Rear-mounted dust collector helps minimise floor space needed for operation

Replaceable protective window and light underlay to protect and extend the life of the viewing window and light cover

Foot-pedal-controlled siphon blast gun helps to reduce operator hand fatigue

Ideal for blasting engine parts, wheels, gearboxes etc

Grate capacity of 70kg allows the operator to blast heavier items such as cylinder heads

### Specifications

Cabinet Capacity: 420 Litres

4 Ceramic Nozzles: 2x5mm, 2x6mm

Maximum Media Capacity: 70kg

Maximum Air Pressure: 125psi

Required Air Supply: 15-25CFM

Sand Blasting efficiency: 100cm<sup>2</sup>/min

Optimum Operating Pressure 60-110psi

Height: 1680mm

Depth: 940mm (including the dust extractor)

Width: 1180mm

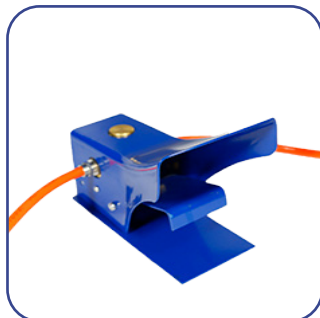
Floor to the top of fully open door: 1800mm

Nett Weight: 120kg

Carton: 1270 x 1250 x 760mm

Gross Weight: 157kg

**MADE FOR THE  
TRADE**



**TQ TRADEQUIP**  
the trusted brand in equipment



**CONSUMABLES  
AVAILABLE**

## Mobile Blasting Kit 75Litre

Product Code: 3032T

The TradeQuip "Made for the Trade" Mobile Abrasive Blasting Kit is perfect for a wide variety of surface preparation jobs such as removing paint, scale, rust and oxidation. Ideal for surface preparation on cars, trucks, machinery, steel, glass etching and much more. Features a 2.4m heavy-duty blast hose designed for long life and maneuverability. Durable wheels and built-in handle allow for easy transport. Simply add abrasive and hook up to an air supply and you're ready to blast. Some assembly required. Note: TradeQuip Walnut Shells cannot be used in this mobile blasting unit.

**PLEASE NOTE:** Minimum Free Delivery required to operate this unit (using Medium grit and the Small nozzle) is 400 Litres per minute.

Recommended Compressor Air Supply Delivery is 600 Litres per minute.

### Features

- Perfect for surface preparation on any type of irregular surfaces where other forms of preparation such as sanding are difficult
- Ideal for removing paint, rust, scale and oxidation on various surfaces
- Adjustable flow valve and pressure relieving ball valve provide the operator with complete control of abrasive blasting
- Welded steel frame for strength and durability
- Durable rubber wheels and built-in handle allow for easy maneuverability
- Ceramic blast nozzles offer extended life over ordinary steel nozzles
- Adjustable abrasive flow valve gives the operator precise control of abrasive mixture when blasting
- Powder-coat finish for superior corrosion resistance
- 10mm ball valves for more powerful abrasive and air flow
- Steel deadman handle shuts off automatically when dropped by use of a rubber sealing block at the nozzle to provide safety to the user
- Large pressure tank holds approximately 18kg of abrasive for longer blasting times
- Easy-to-read pressure gauge to monitor air pressure
- Includes Air Pressure Regulator
- Built-in moisture separator to help reduce water from clogging the abrasive flow
- Recommended for use with a compressor that delivers 15 CFM @ 90 psi
- Includes Safety Mask, Thread Tape and Media Refill Funnel

### Specifications

- Tank Capacity: 75 Litre
- Working Pressure: 60 - 125psi
- Air delivery; 400-600 Litres per minute @ 90psi
- 4 Ceramic Nozzle Tips: 2.0 2.5 3.0 3.5mm
- Hose Length: 2400mm
- Hose OD: 24mm
- Hose ID: 12mm
- Wheel Diameter: 150mm
- Nett Weight: 23kg
- Carton: 880 x 460 x 420mm
- Gross Weight: 25kg
- Replacement Ceramic Tip Set (4pk) Product #3008/3
- Replacement Hose: Product #3008-25

**MADE FOR THE TRADE**

**CONSUMABLES AVAILABLE**

**TQ TRADEQUIP**  
the trusted brand in equipment



### About the brand

Our Flagship brand of garage and workshop equipment, TradeQuip is designed for use in a demanding garage and workshop environment by trade users. With proven and trusted "Made for the Trade" reliability, TradeQuip branded products offer the very best in performance for an affordable price. The TradeQuip range is covered by a 12 month trade use warranty.

## Mobile Blasting Kit - 37Litre

**Product Code: 3008**

The TradeQuip "Made for the Trade" Mobile Abrasive Blasting Kit is perfect for a wide variety of surface preparation jobs such as removing paint, scale, rust and oxidation. Ideal for surface preparation on cars, trucks, machinery, steel, glass etching and much more. Features a 2.4m heavy-duty blast hose designed for long life and maneuverability. Durable wheels and built-in handle allow for easy transport. Simply add abrasive media and hook up to an air supply and you're ready to blast. Some assembly required. Note: TradeQuip Walnut Shells cannot be used in this mobile blasting unit.

**PLEASE NOTE:** Minimum Free Delivery required to operate this unit (using Medium grit and the Small nozzle) is 400 Litres per minute.

Recommended Compressor Air Supply Delivery is 600 Litres per minute.

### Features

- Heavy duty welded steel design
- High volume extra large valve
- Designed for high flow with minimal air input
- Blast gun fitted with safety trigger
- Heavy-wall blast hose
- Safety pressure-relief valve
- Durable wheels
- Safety hood, thread tape and abrasive refill funnel
- Onboard pressure regulator
- 4x ceramic nozzle tips 2.0 2.5 3.0 3.5mm
- Easy to fill screw tank cap
- Replacement parts available

- 3008-1: Ceramic Tip Set to suit Old Style Ball Valve Type Handpiece  
2.4 2.6 3.2 3.6mm
- 3008-2: Sand blasting gun
- 3008-3: Replacement Ceramic Tip Set 2.0 2.5 3.0 3.5mm
- 3008-4: Rubber Pad for 3008/2
- 3008-25: Replacement Hose

### CONSUMABLES AVAILABLE

### Specifications

- Capacity: 37 Litre
- Working Pressure: 60-125psi
- Air Delivery: 400-600 Litres per Minute @ 125psi (dependent on nozzle size)
- Abrasive Use: 27-90kg @ 125psi per hour (dependant on nozzle size)
- Hose Length: 2400mm
- Hose OD: 24mm
- Hose ID: 12mm
- Tank Dimensions: 508(H) x 305(Ø)
- Nett Weight: 19kg
- Carton: 770 x 420 x 370mm
- Weight: 21kg
- Note: TradeQuip Walnut Shells cannot be used in TradeQuip Mobile Blasting Units



### About the brand

Our Flagship brand of garage and workshop equipment, TradeQuip is designed for use in a demanding garage and workshop environment by trade users. With proven and trusted "Made for the Trade" reliability, TradeQuip branded products offer the very best in performance for an affordable price. The TradeQuip range is covered by a 12 month trade use warranty.

## Mobile Blasting Kit - 105Litre

Product Code: 3033T

The TradeQuip "Made for the Trade" Mobile Abrasive Blasting Kit with Vacuum is perfect for a wide variety of surface preparation jobs such as removing paint, scale, rust and oxidation. Ideal for surface preparation on cars, trucks, machinery, steel, glass etching and much more. Features a 2.4m heavy-duty blast hose designed for long life and manoeuvrability. The Vacuum feature reduces dust and debris around your workshop. Durable wheels and built-in handle allow for easy transport. Simply add abrasive and hook up to an air and power supply and you're ready to blast. Some assembly required.

**PLEASE NOTE:** TradeQuip Walnut Shells cannot be used in this mobile blasting unit"

No smaller than 15CFM Compressor recommended.  
Required Air Supply Delivery is 600 Litres per minute.

### Specifications

Tank Capacity: 105 Litre  
Working Pressure: 15CFM @ 80psi  
Air Delivery: Minimum of 640L/min@115 PSI  
Ceramic Nozzle Tips size: 7mm  
Volt: 240  
Plug: 10AMP  
Air hose: 170(D) x 9(I) x 2700mm  
Sand hose: 180(D) x 12(I) x 3100mm  
Vacuum hose: 480(D) x 42(I) x 2600mm  
Wheel Diameter: Castor 100mm 4" / Fixed wheel 150mm 6"  
Weight: 30kg

### CONSUMABLES AVAILABLE



**TQ TRADEQUIP**  
the trusted brand in equipment

**MADE FOR THE  
TRADE**

### About the brand

Our Flagship brand of garage and workshop equipment, TradeQuip is designed for use in a demanding garage and workshop environment by trade users. With proven and trusted "Made for the Trade" reliability, TradeQuip branded products offer the very best in performance for an affordable price. The TradeQuip range is covered by a 12 month trade use warranty.

## Soda Blasting Retrofit Kit

Product Code: 3054

The TradeQuip "Made for the Trade" Soda Blasting Retrofit Kit is designed for use in conjunction with our 19, 37 and 75 Litre Mobile Sand Blasting Kits. Quick and simple to fit and use. Switching to Soda Blasting is especially suitable for removing paint without harming sheet metal, glass, or chrome. Perfect for restorations in the classic car market as soda will not etch glass and will not warp or remove metalwork. Surface will be left silky smooth. Soda also leaves a rust inhibitor behind for up to six weeks.

Convert your Mobile Sand Blasting Kit into a soda blaster in less than 15 minutes!

Soda won't damage or warp metal

Perfect for stripping fiberglass

Environmentally friendly

Strips without chemicals

Now there's no need to buy a separate soda blaster if you already have one of our mobile sand blasting kits. Our Tradequip Soda Blasting Retrofit Kit allows you to convert either a 3/8" or 1/2" sand blaster into a soda blaster.

More Uses for Bicarbonate Soda (Baking Soda) Blasters:

You can also use bicarbonate soda blast media (NOT household baking soda) to remove graffiti and grime from brick, concrete, limestone, granite and other surfaces. Other uses included cleaning of delicate substrates; architectural and industrial cleaning; paint stripping; corrosion removal. Use to remove mold and mildew stains from pools, cement, brick, tile, granite, sound stucco, siding and more. Safely strip paint from aircraft aluminum, trucks, motorcycles. Bicarbonate soda also works brilliantly for fast removal of thick oils and grease from engines and floors.

Fitting Instructions

Remove the Standard Manifold (See picture in fig.1)

Use a flat head screwdriver to loosen the hose clamp on the blasting hose and pull the hose off the connector.

Unscrew the air hose from the manifold.

Unscrew the manifold from the bottom of the tank.

Fit Soda Blasting Manifold (See picture in fig.2)

Screw in the new manifold until tight, use a spanner, ensure the air hose connection faces the back of the tank.

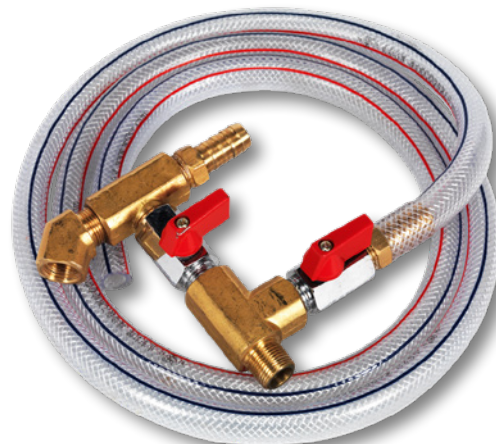
Screw in the air hose and tighten with a spanner.

Push the blasting hose onto the lower connector, tighten the clamp with a flat head screwdriver.

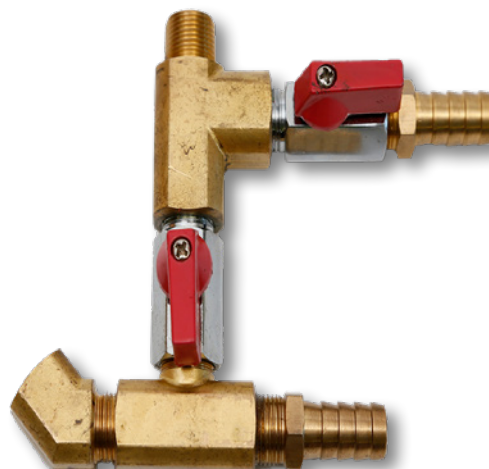
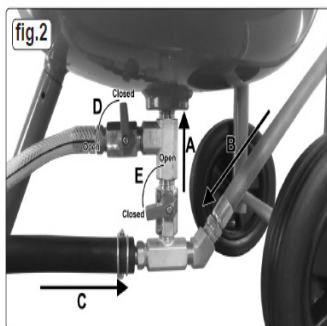
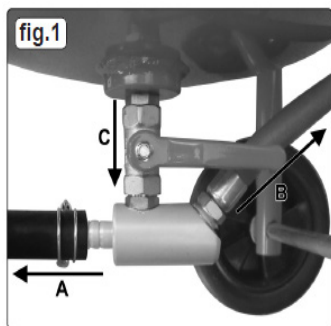
If the exhaust hose is not connected push it onto the remaining connector.

NOTE: Use PTFE tape on threaded connection for an air tight seal.

**TQ TRADEQUIP**  
the trusted brand in equipment



**MADE FOR THE TRADE**



### About the brand

Our Flagship brand of garage and workshop equipment, TradeQuip is designed for use in a demanding garage and workshop environment by trade users. With proven and trusted "Made for the Trade" reliability, TradeQuip branded products offer the very best in performance for an affordable price. The TradeQuip range is covered by a 12 month trade use warranty.

## Blasting Hood

**Product Code: 3053**

Protect eyes and face from "rebounding" abrasive particles by wearing our TradeQuip "Made for the Trade" Abrasive Blasting Hood. Work safe and sound inside this rugged, comfortable, sandblasting hood that's ideal for many abrasive-blasting applications.

### Features

Durable fabric and synthetic-leather construction  
Large 110mm x 55mm acrylic viewing plate  
Adjustable internal helmet for added comfort  
Reinforced side ventilation panels for increased airflow  
NOT for respiratory protection

### Health and Safety Warning:

Abrasive Blasting emits abrasive particles under pressure. Blast hoods are designed to protect the eyes and face of user from abrasive particles.

Abrasive Blasting Hoods do not protect the operator from the dust. Adequate respiratory mask, eye and body protection must be worn during use. Inhalation of silica particles can cause cancer and other deadly diseases. Always wear appropriate Aust Standards approved respiratory protection when using abrasive-blasting equipment.

**MADE FOR THE  
TRADE**



**TQ TRADEQUIP**  
the trusted brand in equipment

## Garnet Blasting Media Abrasive 30/60

**Product Code: 3021T**

The TradeQuip "Made for the Trade" Garnet Blasting Media Abrasive is designed for use in conjunction with our TradeQuip Mobile Blasting Kits and Blasting Cabinets. Garnet is a gemstone with excellent naturally abrasive properties. This hard abrasive is fast-cutting, low-dust producing and low-consuming, ideal for removing tough coatings, paint, rust and mill scale from steel. Garnet also permits precise feathering control. A good general outdoor surface preparation abrasive. It has been specified for use with TradeQuip "Made for the Trade" blasting equipment.

### Features

Fast removal of medium rust and paint  
Low consumption rate  
Ideal for tough coatings and removing mill scale  
Used for general outdoor surface preparation  
Ideal for preparation of most automotive and industrial coatings  
Widely used for car panel sandblasting, machinery cleaning, parts restoration

### Specifications

Mesh: 30/60 Micron  
Shape: Sub Angular  
Hardness: 7.0 - 7.5 MOHS  
Density: 3.5-4.3 SG  
Weight: 25kg  
1,000kg Bulk Quantity ALSO AVAILABLE for Specialists...  
- Product Code 3021T-1000

**MADE FOR THE  
TRADE**



**TQ TRADEQUIP**  
the trusted brand in equipment

### About the brand

Our Flagship brand of garage and workshop equipment, TradeQuip is designed for use in a demanding garage and workshop environment by trade users. With proven and trusted "Made for the Trade" reliability, TradeQuip branded products offer the very best in performance for an affordable price. The TradeQuip range is covered by a 12 month trade use warranty.



## Walnut Shell Media Abrasive 16/18

**Product Code: 3022T**

The TradeQuip "Made for the Trade" Walnut Shell Blasting Media Abrasive is designed for use in conjunction with our TradeQuip Blasting Cabinets. Nut shells and other organic materials, don't cause anchor patterns, making them useful for removing dirt, grease, oil, carbon, scale, burrs and paint without changing the underlying substrate. Walnut shells can be an excellent choice for softer surfaces such as wood — they won't cause etching. Walnut shells are one of less abrasive blasting media you can use and are completely biodegradable, making them among the most environmentally-friendly blasting media. Walnut shell blasting media is great for rust-free paint removal from sheet metal and for cleaning engines and transmissions. Walnut media blasting is also an effective media for cleaning paint, grease and other dirt from the surface of a material whilst maintaining the integrity of substrate materials. Ideal for use with aluminum, brass and sheet metal. It has been specified for use with TradeQuip "Made for the Trade" Blasting Cabinets only. Note: TradeQuip Walnut Shells cannot be used in TradeQuip Mobile Blasting Units

### Features

- Biodegradable environmentally friendly
- Fast removal of dirt, grease, oil and carbon from internal parts
- Used for general maintenance and cleaning paint rust free
- Works well on wood and won't cause etching or anchor patterns
- Ideal for preparation of aluminum, brass and sheet metal
- Widely used for for cleaning engine and transmission parts

### Specifications

- Diameter: ~1.2-1.4mm
- Mesh: 16/18
- Bulk Density: 850kg/m<sup>3</sup>
- Moisture: 6%
- Oil removal efficiency: 65%
- Specific Gravity: 1.35g/cm<sup>3</sup>
- Mosh hardness: ~2.5-4.0MOHS
- BAG SIZE: 25kgs
- Note: TradeQuip Walnut Shells cannot be used in TradeQuip Mobile Blasting Units



## Soda Bi-Carbonate Blasting Media Abrasive

**Product Code: 3028T**

The TradeQuip "Made for the Trade" Soda Bi-Carbonate Blasting Media Abrasive is designed for use in conjunction with our TradeQuip Mobile Soda Blasting Kits. Soda Bi-Carbonate blasting media has non abrasive properties which makes it a very universal blasting media which can be applied to lighter materials such as aluminium, plastic, fibreglass, wood etc. Soda Blasting does not damage glass, rubber, chrome items if they are left on a vehicle for blasting. Soda Blasting leaves behind a thin protective film which, if left untouched, will prevent surface rust from forming on bare steel surfaces for up to 6 weeks or even longer if stored in a dry, protected area. This film must be removed before painting by wiping down with acetone dampened microfiber cloths or suitable lint-free towels. Only use acetone to wipe residue. Wipe off soda residue, rinse often and immediately follow up with a dry lint-free towel. Any soda media left in body seams or crevices can be removed with a small shop vacuum and a fine tipped blow gun. Be sure to wipe surrounding areas as described above. This TradeQuip "Made for the Trade" 22.68kg bag of Soda Bi-Carbonate is manufactured in Colorado USA. It has been specified for use with TradeQuip "Made for the Trade" soda blasting equipment.

### Features

- Fast removal of medium rust and paint
- Low consumption rate
- Water Soluble - eliminates media residue concerns; simplifies clean-up & disposal; less solid waste generated
- Safe to use on virtually any substrate, including delicate surfaces, rotating equipment & moving parts
- Ideal for final prep of most automotive and industrial coatings
- Contains no solvents or caustic chemicals
- Widely used for car panel sandblasting, machinery cleaning, parts restoration
- Product of the USA (sourced from Colorado)

### Specifications

- Grit: 100 (170 micron)
- Media Flow Rate: 0.2 - 1.4 kg/min
- Hardness: 2.5Mohs
- Weight: 22.68kg (50lbs)



## Garnet Blasting Media Abrasive 20/40

**Product Code: 3023T**

TradeQuip "Made for the Trade" Garnet Blasting Media Abrasive is designed for use in conjunction with our TradeQuip Mobile Blasting Kits and Blasting Cabinets. Garnet is a gemstone with excellent naturally abrasive properties. This hard abrasive is fast-cutting, low-dust producing and low-consuming, ideal for removing tough coatings, paint, rust and mill scale from steel. Garnet also permits precise feathering control. A good general outdoor surface preparation abrasive. It has been specified for use with TradeQuip "Made for the Trade" blasting equipment.

### Features

- Fast removal of heavy rust and stubborn paint coatings
- Low consumption rate
- Deep etching
- Used for general maintenance and cleaning
- Ideal for preparation of most automotive and industrial coatings
- Widely used for car panel sandblasting and metal cleaning

### Specifications

- Mesh: 20/40 Micron
- Finished Surface Profile: 50-85 µm
- Blasting Rate: 15-20 sqm per hour
- Consumption Rate: 8-10kg per sqm
- Weight: 25kg



## Glass Beads Media Abrasive 106/300

**Product Code: 3025T**

The TradeQuip "Made for the Trade" Glass Bead Blasting Media Abrasive is designed for use in conjunction with our TradeQuip Mobile Blasting Kits and Blasting Cabinets. Glass beads are used for general cleaning, peening and cosmetic finishing of sensitive metal surfaces; removing automotive paint; brightening grout and removing fungus and calcium deposits from tile; polishing cast iron, stainless steel, aluminium, propellers and turbine blades. Glass Beads are environmentally friendly and can be used in many blast applications to provide a finish with no profile. Use while working with metal, plastic or rubber materials to clean, debur and finish. It has been specified for use with TradeQuip "Made for the Trade" blasting equipment.

### Features

- Ideal for cosmetic finishing of sensitive materials
- Low consumption rate
- Can be recycled
- No contamination of metal being treated
- Broad range of applications
- Used for general maintenance and cleaning
- Ideal for tile cleaning and brightening grout
- Widely used for car panel sandblasting, machinery cleaning, parts restoration

### Specifications

- Mesh: 106/300 Micron
- Shape: Rounded
- Hardness: 5.5 - 6.0 MOHS
- Density: 2.5 SG
- Weight: 25kg



### About the brand

Our Flagship brand of garage and workshop equipment, TradeQuip is designed for use in a demanding garage and workshop environment by trade users. With proven and trusted "Made for the Trade" reliability, TradeQuip branded products offer the very best in performance for an affordable price. The TradeQuip range is covered by a 12 month trade use warranty.



TQB Brands Pty Ltd

TQB Brands has grown to become one of the most respected garage equipment suppliers in Australia and markets the recognised leading brands TradeQuip, TQ Pro, Borum and Red Label Nationally through 1000+ distributors. We offer an extensive range of products including Garage & Workshop, Industrial, Agricultural and Vehicle Service Equipment. We continually strive to introduce new and innovative garage and workshop tools and equipment for the professional, which comply with mandatory Australian Standards. TQB Brands aims to achieve great value for money whilst not compromising on quality. TQB Brands prides itself on offering fit for purpose product through our tiered brand offerings.



Our **Flagship** brand of garage and workshop equipment, **TradeQuip** is designed for use in a demanding **garage and workshop** environment by trade users. With proven and trusted **"Made for the Trade"** reliability, **TradeQuip** branded products offer the very best in performance for an affordable price. The **TradeQuip** range is covered by a **12 month trade use warranty**.



Our **"heavy duty commercial"** range of **Borum Industrial** equipment has been manufactured to exacting standards for the past **39 years**. We specify industrial quality components and design to ensure a long and durable working life in **commercial transport, mining, earthmoving and railway** environments. Our **Borum Industrial** range of equipment is focused on achieving superior professional standards, reliability, quality, and are covered by a **12 month trade use warranty**.



**TQ Pro** top quality Tools and Equipment are designed and manufactured for specialist professional use in a garage and workshop environment. **TQ Pro** products are strong, reliable, and well finished for the **expert tool user** who appreciates professional design, reliability, and attention to detail. Covered by our **12 month trade use warranty**, our **TQ Pro** Tools & Equipment are made with pride to deliver the best combination of professional performance, presentation, and reliability.